

GROUP INDEX

GROUP	PAGE
AIR CONDITIONER & HEATER...	340
CENTER PILLAR & ROCKER PANEL .....	352
CONSOLE .....	348
COOLING .....	340
COWL & WINDSHIELD .....	347
ELECTRICAL .....	342
EMISSION SYSTEM .....	344
ENGINE / TRANSAXLE .....	343
EXHAUST SYSTEM .....	344
FENDER .....	342
FRONT BUMPER .....	338
FRONT DOOR .....	351

GROUP	PAGE
FRONT LAMPS .....	339
FRONT SUSPENSION .....	345
FUEL SYSTEM .....	356
GRILLE .....	339
HOOD .....	341
INFORMATION LABELS .....	338
INSTRUMENT PANEL .....	348
INTERIOR TRIM .....	360
LIFT GATE .....	355
PART IDENTIFICATION .....	338
PAINT NOTES .....	338
QUARTER PANEL .....	353
REAR BODY & FLOOR .....	356

GROUP	PAGE
REAR BUMPER .....	360
REAR DOOR .....	352
REAR LAMPS	
SEDAN .....	359
WAGON .....	360
REAR SUSPENSION .....	357
RESTRAINT SYSTEMS .....	348
ROOF & BACK GLASS .....	349
SEAT TRACKS .....	353
STEERING .....	346
TRUNK LID .....	354
UNDERHOOD DIAGRAM .....	342
WHEELS .....	345

Black Book<sup>®</sup>

USED CAR MARKET GUIDE

1994 SUBARU LEGACY

*ADD*		*DEDUCT*
450	AUTO TRANS 600	WITHOUT F/AIR
400	ALL WHEEL DRIVE	

MODEL DESCRIPTION	AVG RETAIL
RFB 4D SEDAN L	7350
RFE 4D SEDAN LS at	9150
RFL 4D SDN LSi AWD at	10700
RFJ 4D SDN SPORT AWD	10700
RHB 4D WAGON L	8300
RHX 4D WGN SUN SPORT	8975
RHE 4D WAGON LS at	10025
RHL WGN LSi AWD at	11600
RHK TRNG WGN AWD at	11600
RHS WGN OUTDOOR AWD	8850
RHU WGN ALPINE SPORT	9550
RHZ WGN GT AWD	9325

1993 SUBARU LEGACY

*ADD*		*DEDUCT*
375	AUTO TRANS 525	WITHOUT F/AIR
300	4 WHEEL DRIVE	

MODEL DESCRIPTION	AVG RETAIL
PFB 4D SEDAN L	6525
PFE 4D SEDAN LS at	8375
PFJ 4D SDN LSi 4WD at	9675
NFL 4D SDN SPORT 4WD	9675
PHB 4D WAGON L	7075
PHE 4D WAGON LS at	8900
PHL WGN LSi 4WD at	10250
PHK TRNG WGN 4WD at	10250

1992 SUBARU LEGACY

*ADD*		*DEDUCT*
300	AUTO TRANS 450	WITHOUT F/AIR
200	4 WHEEL DRIVE	

MODEL DESCRIPTION	AVG RETAIL
NHH 4D SEDAN L	6175
NGG 4D SEDAN LS at	8075
NGH 4D SEDAN LSi at	8475
NFL 4D SDN SPORT 4WD	8900
NIG 4D WAGON L	6550
NIG 4D WAGON LS at	8350
NHQ TRNG WGN 4WD at	9175

ARL7520

PAINT PROCESS

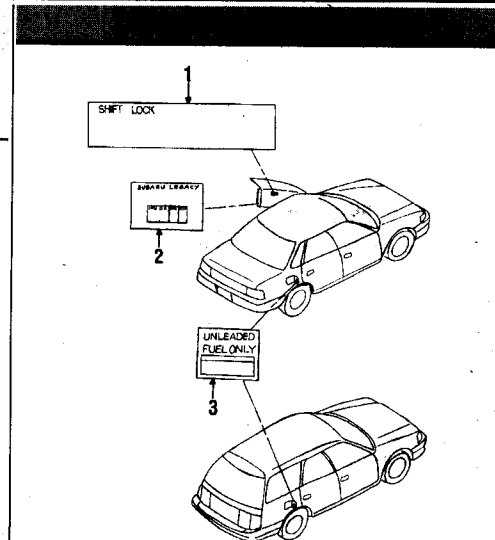
Single stage code 074. All metallics and mica colors are base coat/clear coat. All non-metallic colors are single stage.

PAINT CODE IDENTIFICATION

Drivers side shock tower.

NOTES

Retail prices published in the following chapter are based upon information received from Subaru of America. Retail prices for parts purchased through Subaru of New England may vary.



OVERLAP OPERATIONS

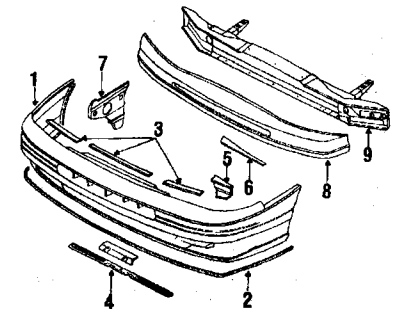
Install all labels ..... 90-94 0.3

PARTS AND R&R OPERATIONS

LABELS

Label	Year	Price	Part No.
1 shift lock caution w/o turbo	90	4.62#	0.2 91531 AA720
2WD	91-92	8.82#	0.2 91547 GA360
	93-94	4.62#	0.2 91531 AA720
4WD	90	9.83#	0.2 91531 AA690
	91-92	8.82#	0.2 91547 GA360
	93-94	4.62#	0.2 91531 AA720
shift lock caution, w/turbo	91-92	9.92#	0.2 91547 GA380
	93-94	8.82#	0.2 91551 AA000
jack label	90	9.65#	0.2 91533 AA110
2 tire pressure caution, sedan	90-91	5.35#	0.2 91533 AA180
	92	3.40#	0.2 91533 AA240
	93	4.80#	0.2 91533 AA831
	94	4.80#	0.2 91533 AA831
4WD	90-91	4.80#	0.2 91533 AA190
	92-93	4.80#	0.2 91533 AA841
	94	4.80#	0.2 91533 AA191
tire press caution, wagon	90-91	5.35#	0.2 91533 AA200
	92	3.40#	0.2 91533 AA250
	93	4.80#	0.2 91533 AA841
	94	4.80#	0.2 91533 AA841
4WD	90-91	5.35#	0.2 91533 AA210
	92-93	3.40#	0.2 91533 AA580
	94	4.80#	0.2 91533 AA581
UNLEADED FUEL ONLY	90-91	1.40#	0.2 91519 GA420
	92-94	2.28#	0.2 10024 AA000

\* LABOR: Time is for application of first label. See OVERLAP OPERATIONS for multiple labels.



OVERHAUL OPERATIONS

O/H bumper assy ..... 90-94 2.5

R&I OPERATIONS

R&I bumper assy ..... 90-94 1.0

PARTS AND R&R OPERATIONS

BUMPER & COMPONENTS 1990-91

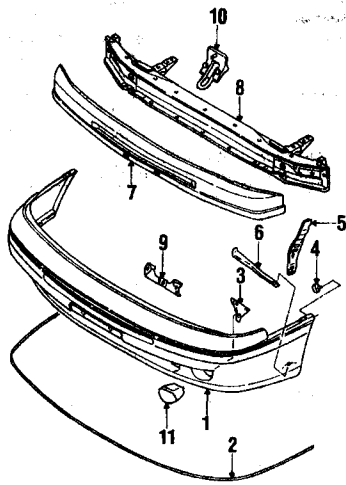
Part	Year	Price	Part No.
1 Bumper cover			
w/o turbo	(p2.7) 90-91	224.95#	2.5 57720 AA010
w/turbo	(p2.7) 91	224.95#	2.5 57720 AA100
retainer			
3 upper			
12 outer end	90-91	9.95#	57770 AA100
13 inner center	90-91	9.95#	57770 AA000
4 lower			
14 w/o turbo	90-91	15.95#	57770 AA020
1401 w/turbo	91	15.95#	57770 AA140
6 support bracket	90-91 R	19.95#	57740 AA400
19	90-91 L	19.95#	57740 AA410
7 bracket			
20 w/o turbo	90-91 R	49.95#	57790 AA231
21	90-91 L	49.95#	57790 AA241
1465 w/turbo	91 R	49.95#	57790 AA251
1466	91 L	49.95#	57790 AA261
End protector			
7 outer			
7 to 5/90	90-91 R	3.95#	57798 AA041
8	90-91 L	3.95#	57798 AA050
1463 from 6/90	91	3.95#	57798 AA041
9 inner	90-91 R	3.95#	57798 AA000
10	90-91 L	3.95#	57798 AA010
11	90-91	49.95#	57780 AA010
5 Molding			
7 Filler cover			
7 w/o turbo	90-91 R	1.26#	57751 AA000
8	90-91 L	1.26#	57751 AA010
1467 clip	90-91	2.17#	79605 0160
8 Absorber			
22 w/o turbo	90-91	64.95#	2.5 57730 AA000
1467 w/turbo	91	74.95#	2.5 57730 AA040
9 Reinforce bar			
23 w/o turbo	90-91	239.95#	2.5 57760 AA020
1468 w/turbo	91	329.95#	2.5 57760 AA340
License bracket			
21 w/o turbo	90-91	29.95	0.3 57790 AA060
1469 w/turbo	91	19.95	0.3 57790 AA450
1470 Fog lamp assy	90-91	99.92	0.5 SOA38 5J120

\* PARTS: Does not include corner end protectors.

LABOR: Time is for overhaul.

‡ LABOR: Time is for overhaul.

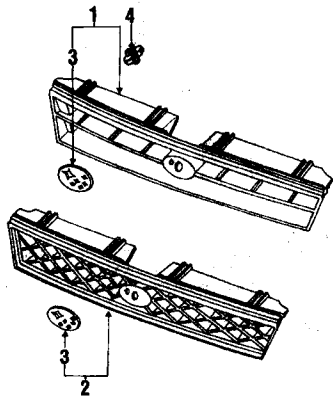
† LABOR: Included in overhaul time.



**-----BUMPER & COMPONENTS-----**  
**1992-94**

<b>1 Bumper cover</b>					
w/o turbo	(p.2) 92-94	224.95 †	2.5	57720 AA130	
w/turbo	(p.2) 92-94	224.95 †	2.5	57720 AA120	
<b>retainer clip</b>					
upper	92-94	1.92 †		57750 AA09Q	
lower	92-94	3.80 †		57750 AA010	
<b>support</b>					
inner					NOT USED
w/o turbo	92-94				
w/turbo	92-94	8.50 †		57790 AA930	
<b>bracket</b>					
92-94 R	92-94 R	15.95 †		57790 AA890	
92-94 L	92-94 L	15.95 †		57790 AA900	
<b>support</b>					
support brace	92-94 R	19.95 †		57790 AA390	
	92-94 L	19.95 †		57790 AA400	
clip	92-94	2.17 †		79605 0160	
<b>bracket</b>					
92-94 R	92-94 R	19.95 †		57740 AA400	
92-94 L	92-94 L	19.95 †		57740 AA410	
<b>Molding</b>					
92-94	92-94	49.95 †		57780 AA010	
<b>Reinforce bar</b>					
92-94	92-94	64.95 †	2.5	57730 AA080	
<b>mount bolt</b>					
92-94	92-94	2.53 †		90112 0047	
<b>License bracket</b>					
92-94	92-94	5.00	0.3	57761 AA190	
<b>Tow hook</b>					
92-94	92-94	31.92 †		57741 AA160	
<b>Lamp cover</b>					
92-94 R	92-94 R	15.50		57751 AA120	
92-94 L	92-94 L	15.50		57751 AA130	
<b>Fog lamp Assy</b>	92-94				NOT LISTED

# PARTS: Does not include retainer clips. LABOR: Time is for overhaul.  
† PARTS: Does not include clip. LABOR: Included in overhaul time.  
‡ PARTS: Does not include mounting bolt. LABOR: Time is for overhaul.  
‡ LABOR: Included in overhaul time.

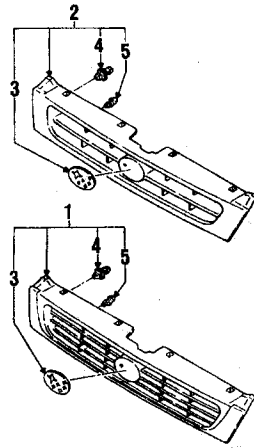


**PARTS AND R&R OPERATIONS**

**-----GRILLE & COMPONENTS-----**  
**1990-91**

<b>Grille Assy</b>					
1 w/o LS	90-91	99.95	0.5	91065A A000ST	
2 w/LS	90-91	199.95	0.5	91065 AA260	
<b>retainer clip</b>					
w/o LS	90-91	3.80		91017 AA010	
w/LS	90-91	3.80		91017 AA111	
<b>Ornament</b>					
90	90	52.95	0.3	91053 AA010	

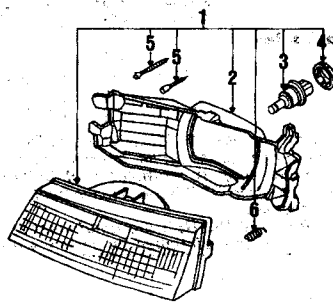
w/o LS	91	52.95	0.3	91053 AA010
w/LS	91	32.95	0.3	91053 AA060



**-----GRILLE & COMPONENTS-----**  
**1992-94**

<b>Grille Assy</b>					
1 w/o turbo	92-94	199.95	0.5	91065 AA110	
2 w/turbo	(p.5) 92-94	149.95 †	0.5	91065A A130NN	
<b>retainer clip</b>					
w/o turbo					
4 outer	92-94	3.80 †		91017 AA111	
5 inner	92-94	3.80 †		91017 AA240	
w/turbo					
4 outer	92-94	3.80 †		91017 AA010	
5 inner	92-94	1.76 †		91059 FC090	
<b>Ornament</b>					
w/o LS	92-94	51.42 †	0.3	91053 AA07Q	
w/LS	92-94	32.95 †	0.3	91053 AA090	

† PARTS: Part is included in grille assembly.  
‡ LABOR: Paint to match.



ADD IF REQUIRED

60	Aim headlamps	90-94	0.6
----	---------------	-------	-----

R&I OPERATIONS

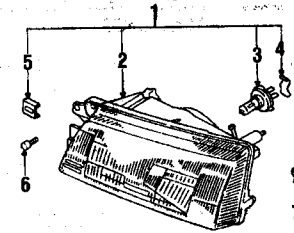
6	R&I headlamp Assy	90-94 B	0.6
---	-------------------	---------	-----

**PARTS AND R&R OPERATIONS**

**-----HEADLAMP COMPONENTS-----**  
**1990-91**

<b>Lamp Assy</b>					
1 90-91 R	90-91 R	149.95	0.6	84004 AA060	
2 90-91 L	90-91 L	149.95	0.6	84004 AA070	
<b>Housing</b>					
90-91 R	90-91 R	39.95 †	0.3	84945 AA020	
90-91 L	90-91 L	39.95 †	0.3	84945 AA030	
<b>screw</b>					
upper	90-91	2.25		84962 AA000	
lower	90-91	2.25		84962 AA010	
<b>spring</b>					
90-91	90-91	1.95		84934 AA000	
<b>Lens &amp; housing</b>					
90-91 R	90-91 R	159.95	0.6	84912 AA060	
90-91 L	90-91 L	159.95	0.6	84912 AA070	
<b>Bulb</b>					
90-91 B	90-91 B	11.95	0.3	SOA44 42300	
<b>Lock cap</b>					
90-91	90-91	1.00		78495 6180	

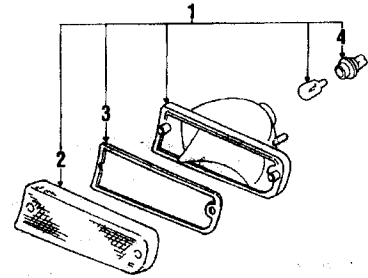
# LABOR: After lamp assembly is removed.



**-----HEADLAMP COMPONENTS-----**  
**1992-94**

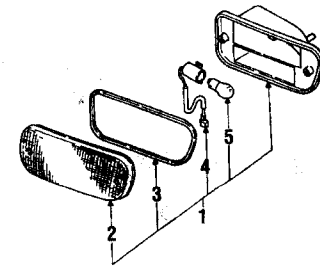
<b>Lamp Assy</b>					
92-94 R	92-94 R	249.95	0.6	84004 AA220	
92-94 L	92-94 L	249.95	0.6	84004 AA230	
<b>screw</b>					
92-94	92-94	1.58		90112 0069	
<b>insert</b>					
92-94	92-94	.10		02370 6000	
<b>Lens &amp; housing</b>					
92-94 R	92-94 R	215.67 †	0.6	84912 AA700	
92-94 L	92-94 L	215.67 †	0.6	84912 AA710	
<b>clip</b>					
92-94	92-94	3.40 †		84934 AA070	
<b>mount bracket</b>					
92-94	92-94	1.72 †		84927 AA080	
<b>Bulb</b>					
92-94 B	92-94 B	19.95 †	0.3	84920 AA090	

# PARTS: Part is included in headlamp assembly.



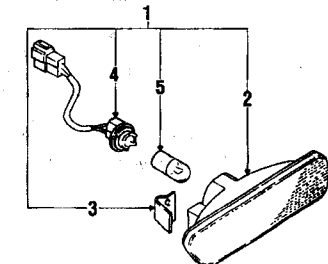
**-----SIGNAL LAMPS-----**  
**1990-91 W/O TURBO**

<b>Lamp Assy</b>					
to 8/89	90 R	35.45	0.4	84441 AA000	
	90 L	35.45	0.4	84441 AA010	
from 9/89	90-91 R	44.20	0.4	84441 AA001	
	90-91 L	44.20	0.4	84441 AA011	
<b>Lens</b>					
90-91 R	90-91 R	13.92	0.3	84910 AA040	
90-91 L	90-91 L	13.92	0.3	84910 AA050	
<b>gasket</b>					
90-91	90-91	4.37		84940 AA010	
<b>Socket</b>					
90-91	90-91	13.38		84930 AA020	
<b>Bulb</b>					
90-91	90-91	1.95		78492 0430	



**-----SIGNAL LAMPS-----**  
**1991 W/TURBO**

<b>Lamp Assy</b>					
91 R	91 R	51.55	0.4	84441 AA040	
91 L	91 L	51.55	0.4	84441 AA050	
<b>Lens</b>					
91 R	91 R	19.58	0.3	84910 AA110	
91 L	91 L	19.58	0.3	84910 AA120	
<b>gasket</b>					
91	91	5.93		84940 AA060	
<b>Socket</b>					
91	91	21.80		84931 AA00Q	
<b>Bulb</b>					
91	91	5.95		84920 AA050	



CONTINUED

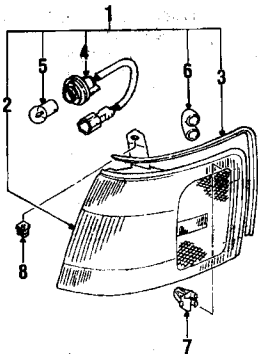
## FRONT LAMPS (CONT)

### SIGNAL LAMPS

1992-94

1 Lamp Assy	92-94 R	24.95	0.4	84411 AA000
	92-94 L	24.95	0.4	84411 AA010
2 Lens	92-94 R	15.45 #	0.3	84912 AA540
	92-94 L	15.45 #	0.3	84912 AA550
3 retainer	92-94	.54 #		84934 AA050
4 Socket	92-94	10.55 #		84931 AA130
5 Bulb	92-94	1.50 #		68410 2510

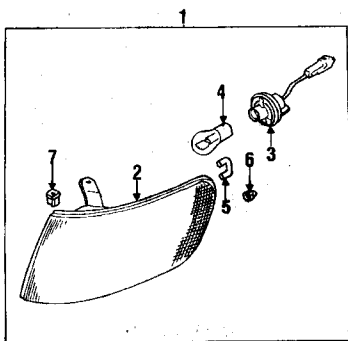
# PARTS: Part is included in lamp assembly.



### PARK & SIDE MARKER LAMPS

1990-91

1 Lamp Assy	90 R	79.95	0.4	84101 AA020
	90 L	79.95	0.4	84101 AA030
	91 R	79.95	0.4	84101 AA021
	91 L	79.95	0.4	84101 AA031
7 retainer clip	90-91	2.25		84965 AA031
8 insert	90-91	2.25		84965 AA060
2 Lens & housing	90 R	71.65	0.3	84912 AA250
	90 L	71.65	0.3	84912 AA260
	91 R	71.65	0.3	84912 AA251
	91 L	71.65	0.3	84912 AA261
3 seal	90-91 R	8.00		84942 AA030
	90-91 L	8.00		84942 AA040
4 Socket	90-91	20.50		84931 AA180
5 Bulb	90-91	3.87		84920 AA010
6 Tube	90-91	5.00		84975 AA076

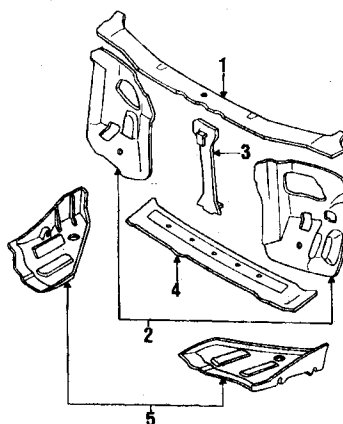


### PARK & SIDE MARKER LAMPS

1992-94

1 Lamp Assy	92-94 R	105.63	0.4	84441 AA080
	92-94 L	105.63	0.4	84441 AA090
2 Lens & housing	92-94 R	99.95 #	0.3	84912 AA600
	92-94 L	99.95 #	0.3	84912 AA610
6 clip	92 to 12/91	1.54		84965 AA091
	from 1/92	1.54		84965 AA100
7 grommet	92-94	2.25		84965 AA060
3 Socket	92-94	15.95 #		84931 AA600
4 Bulb	92-94	7.95 #		84920 PA080
5 Tube	92-94	5.00 #		84975 AA070

# PARTS: Part is included in lamp assembly.



ADD IF REQUIRED

R&R radiator support	90-94			
aim headlamps	90-94		0.5	
add for AC option	90-94		1m	0.5
evacuate & recharge	90-94		m	1.4
refrigerant recovery	90-94		m	0.4
add for auto trans	90-94			0.3

OVERLAP OPERATIONS

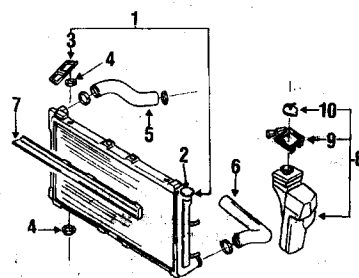
R&R rad support Assy	90-94	p1.5 #	6.2
complete	90-94		

PARTS AND R&R OPERATIONS

### RADIATOR SUPPORT

1 Upper tie bar	(p.5) 90-94	99.95 #	1.5	53020 AA030
2 Side panel	(p.5) 90-91 R	99.95 #	1.5	53020 AA040
	(p.5) 90-91 L	99.95 #	1.5	53020 AA050
	(p.5) 92-94 R	99.95 #	1.5	53010 AA040
	(p.5) 92-94 L	99.95 #	1.5	53010 AA050
3 Center support	w/o turbo	90-94	69.95	0.3 50812 AA010
	w/turbo	91-94	69.95	0.3 50812 AA060
4 Lower tie bar	w/o turbo	(p.5) 90-94	99.95 #	2.0 51231 AA280
	w/turbo	(p.5) 91-94	99.95 #	2.0 51231 AA291
5 Splash shield	90-94 R	16.35	0.3	56410 AC050
	90-94 L	16.35	0.3	56410 AC060
	91-94 R	15.15	0.3	56410 AC070
	91-94 L	16.35	0.3	56410 AC060

# LABOR: Time includes R&R of the radiator, fan shroud, both headlamps, grille, hood support rod, hood lock, hood lock support, air intake duct, battery, coolant reservoir tank. Also D&R hood release cable and front wiring as necessary.  
 † LABOR: Time is to R&R A/C condenser and lines.  
 ‡ LABOR: Time is after all bolted on parts are removed.

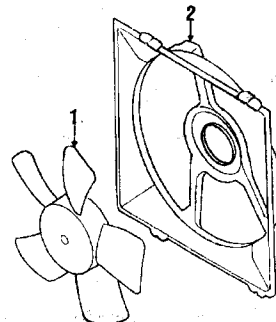


### RADIATOR & COMPONENTS

1 Radiator	manual trans	90-94	299.92	m	1.2	45199 AA220
	w/o turbo	90-94	393.19	m	1.2	45111 AA260
	w/turbo	91-94	393.19	m	1.2	45111 AA260
	auto trans w/o turbo	90-92	308.62	m	1.5	45199 AA100
	to 12/91	92-94	313.88	m	1.5	45199 AA101
	from 12/91	91-92	357.83	m	1.5	45111 AC230
	auto trans w/turbo	90-94	9.22 #			74512 4051
drain plug	90-94	2.12 #				74512 8040
seal	90-94	16.35				45116 AA000
bracket	90-94	16.35				45116 AA000
3 mount bushing	upper	90-94	4.78			45106 AA030
	lower	90-94	4.42			45106 AA020
2 Radiator cap	90-94	13.50 #				45113 GA022
5 Upper hose	90-94	13.33	m	0.4		45167 AA020
6 Lower hose	90-94	13.33	m	0.5		45167 AA030

7 Cover	90-91	20.62		45109 AA000
8 Reservoir	w/o turbo	90-94	62.62	0.5 45151 AA001
	w/turbo	91-94	86.62	0.5 45151 AA040
9 bracket	90-94	17.47 #		45116 AA040
10 Reservoir cap	90	4.37 #		45153 AA001
	to 2/93	91-93	4.37 #	45153 AA001
	from 2/93	93-94	4.90 #	45153 AA010

# PARTS: Part is included with radiator.  
 † PARTS: Part is included with reservoir assembly.



### COOLING FAN

1 Fan & motor	w/o turbo	90-94	249.98 #	m	0.7	45121 AA092
	w/turbo	91-94	249.98 #	m	0.7	45121 AA052
2 Shroud	w/o turbo	90-94	79.95 #	0.7		45137 AA011
	w/turbo	91-93	79.95 #	0.7		45137 AA031
		94	79.95 #	0.7		45137 AA031

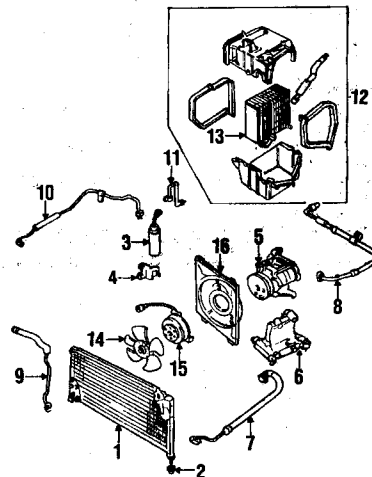
### BELTS

Alternator belt	90-94	9.95	m	0.5		80921 8140
AC belt	90-94	9.92	m	0.5		73013 AA000

### WATER PUMP

Pump	w/o turbo	90-94	69.95	m	1.5	21111 AA007
	w/turbo	91	69.95	m	1.5	21111 AA026
		92-94	69.95	m	1.5	21111 AA065

# LABOR: Time is for overhaul.



**SPECIAL CAUTION**  
 Many vehicles are now using R134 refrigerant in the AC system. Extra care must be observed when servicing this type of system. R12 refrigerant MUST NOT be used. See manufacturers service manual for specific repair procedures.

REFRIGERANT CAPACITY		
R12	90-93	1.8-2.0 LBS
R134	94	1.7 LBS

ADD IF REQUIRED  
 With any operation requiring a refrigerant line disconnect, add AC service, i.e. evacuate, recharge and test for leaks. Add for refrigerant cost.

evacuate & recharge	90-94		m	1.4
refrigerant recovery	90-94		m	0.4

OVERLAP OPERATIONS

R&R compressor with belt off	90-94		m	0.2
deduct	90-94			

**REFRESH AC HOSES**

with condenser off... 90-94 tm 0.8

**PARTS AND R&R OPERATIONS**

**CONDENSER, COMPRESSOR & LINES  
1990-93**

<b>1 Condenser</b>			
Calsonic.....	90-91	249.95	m 1.0 73020 AA030
to 1/92.....	92	249.95	m 1.0 73020 AA060
from 2/92 w/turbo.....	92-93	249.95	m 1.0 73020 AA080
from 2/92 w/turbo.....	92-93	249.95	m 1.0 73020 AA060
DKKC.....	90-91	279.95	m 1.0 73020 AA040
to 2/92.....	92	249.95	m 1.0 73020 AA070
from 3/92.....	92-93	249.95	m 1.0 73020 AA090
<b>2 Cushion</b>			
Calsonic.....	90-93	1.10	73022 AA040
DKKC.....	90-93	1.54	73022 AA020
<b>3 Dehydrator</b>			
Calsonic.....	90-93	129.95 #m	0.5 73031 AA011
DKKC.....	90-93	119.95 #m	0.5 73030 AA061
<b>4 Mount bracket</b>			
Calsonic.....	90-93	25.10	73026 AA160
DKKC.....	90-93	25.10	73026 AA190
<b>5 Compressor</b>			
Calsonic.....	90-91	429.96	m 1.2 73008 AA710
.....	92-93	499.96	m 1.2 73011 AA091
DKKC.....	90-91	489.96	m 1.2 73011 AA040
.....	92-93	589.96	m 1.2 73011 AA080
<b>6 Mount bracket</b>			
Calsonic.....	90-93	75.33	73026 AA340
DKKC.....	90-93	99.95	73026 AA310
<b>Idle pulley</b>	90-93	80.80	m 0.6 73014 AA010
<b>Mount</b>	90-93	32.25	73026 AA060

<b>AC hose</b>			
from evap, Calsonic	90	149.95 #m	0.5 73054 AA070
to 4/90.....	90-91	129.95 #m	0.5 73054 AA141
from 5/90.....	92-93	129.95 #m	0.5 73054 AA311
.....	92-93	129.95	m 0.5 73054 AA090
from evap, DKKC.....	90-91	129.95	m 0.5 73054 AA350
.....	92-93	219.95	m 0.5 73054 AA380
<b>8 to condenser</b>			
Calsonic.....	90-93	99.95 #m	0.5 73054 AA081
DKKC.....	90-91	199.95	m 0.5 73054 AA350
DKKC to 2/92.....	92	199.95	m 0.5 73054 AA270
DKKC from 3/92.....	92	199.95	m 0.5 73054 AA350
.....	93	119.95	m 0.5 73054 AA371
<b>9 Condenser to dehydrator line, front</b>			
Calsonic to 1/92.....	90-91	39.95	m 0.5 73052 AA080
Calsonic.....	92-93	39.95	m 0.5 73052 AA280
DKKC.....	90-91	99.95	m 0.5 73052 AA100
.....	92	133.47	m 0.5 73052 AA290
<b>10 cond todehy line, rear</b>			
Calsonic.....	90-93	39.95	m 0.5 73052 AA140
DKKC.....	90-93	36.22	m 0.5 73052 AA200
<b>11 dehydrator to evaporator line</b>			
Calsonic.....	90-93	39.95	m 0.5 73052 AA090
DKKC.....	90-93	99.95	m 0.5 73052 AA120

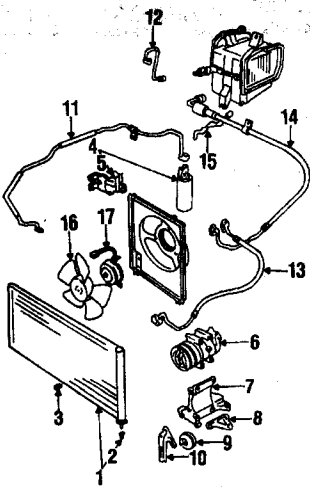
<b>12 Evaporator Assy</b>			
Calsonic	90-92	499.96	m 1.2 73060 AA102
w/ auto air.....	90-92	499.96	m 1.2 73060 AA062
w/ auto air.....	93	499.96	m 1.2 73060 AA102
all.....	90-92	499.96	m 1.2 73060 AA091
DKKC.....	93	499.96	m 1.2 73060 AA200
<b>13 Evaporator core</b>			
Calsonic.....	90-93	409.95	m 1.2 73061 AA031
DKKC.....	90-93	349.95	m 1.2 73061 AA010
<b>Expansion valve</b>			
Calsonic.....	90-93	58.98	m 1.0 73067 AA020
DKKC.....	90-93	78.20	m 1.0 73067 AA010
<b>Case</b>			
Calsonic	90-92	71.85	73062 AA050
w/ auto air.....	90-92	153.87	73062 AA060
w/ auto air.....	93	153.87	73062 AA051
DKKC	90-93	43.33	73062 AA030
upper.....	90-91	36.82	73062 AA041
lower to 1/91.....	91-93	36.82	73062 AA041

<b>14 Fan</b>			
90-93	53.92 #m	0.7 73031 GA130	
<b>15 Motor</b>			
90	217.15 #m	0.7 73042 AA000	
91-93	301.20 #m	0.7 73042 AA001	
<b>16 Shroud</b>			
Calsonic.....	90	94.08 #	0.7 73043 AA000
.....	91-93	120.97 #	0.7 73043 AA010
DKKC.....	90-93	94.08 #	0.7 73043 AA000

<b>17 Motor</b>			
90	217.15 #m	0.7 73042 AA000	
91-93	301.20 #m	0.7 73042 AA001	
<b>18 Shroud</b>			
w/ turbo.....	94	94.08 #m	0.7 73043 AA000
w/ turbo.....	94	120.97 #m	0.7 73043 AA010

<b>19 Fan</b>			
90-93	53.92 #m	0.7 73031 GA130	
<b>20 Motor</b>			
90	217.15 #m	0.7 73042 AA000	
91-93	301.20 #m	0.7 73042 AA001	
<b>21 Shroud</b>			
Calsonic.....	90	94.08 #	0.7 73043 AA000
.....	91-93	120.97 #	0.7 73043 AA010
DKKC.....	90-93	94.08 #	0.7 73043 AA000

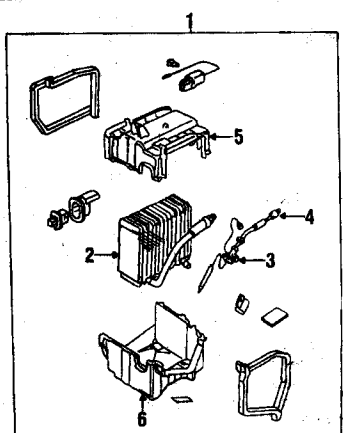
# PARTS: Does not include mounting bracket.  
 † PARTS: Order by description.  
 ‡ LABOR: Time is for overhaul.  
 †† LABOR: Time is for R&F of hoses attached to condenser.



**CONDENSER, COMPRESSOR & LINES  
1994**

<b>1 Condenser</b>			
w/ turbo.....	94	269.95	m 1.0 73020 AA130
w/ turbo.....	94	269.95	m 1.0 73020 AA120
<b>2 Mount cushion</b>	94	1.54 #	73022 AA020
<b>3 Grommet</b>	94	2.48	73065 AA090
<b>4 Dehydrator</b>			
94	119.95	m 0.5 73030 AA090	
<b>5 Bracket</b>			
94	25.10 #	73026 AA190	
<b>6 Compressor</b>			
94	589.96	m 1.2 73011 AA120	
<b>7 Bracket</b>			
94	189.95	73026 AA540	
<b>8 Brace</b>			
94	89.95	73026 AA550	
<b>9 Idle pulley</b>			
94	80.80	m 0.6 73014 AA010	
<b>10 Bracket</b>			
94	32.25	73026 AA060	
<b>Hose</b>			
<b>11 condenser/receiver.....</b>			
94	79.95	m 0.5 73052 AA410	
<b>12 receiver/evaporator.....</b>			
94	39.95	m 0.5 73052 AA380	
<b>Hose</b>			
<b>13 condenser to compressor</b>			
w/ turbo.....	94	199.95	m 0.5 73054 AA440
w/ turbo.....	94	199.95	m 0.5 73054 AA430
<b>14 compressor to evaporator</b>			
w/ turbo.....	94	102.22	m 0.5 73054 AA400
w/ turbo.....	94	249.95	m 0.5 73054 AA410
<b>15 evaporator drain.....</b>			
94	19.95	73064 AA031	
<b>Fan</b>			
<b>16 condenser.....</b>			
94	53.92 #m	0.7 73031 GA130	
<b>17 Motor.....</b>			
94	301.20 #m	0.7 73042 AA001	
<b>18 Shroud</b>			
w/ turbo.....	94	94.08 #m	0.7 73043 AA000
w/ turbo.....	94	120.97 #m	0.7 73043 AA010

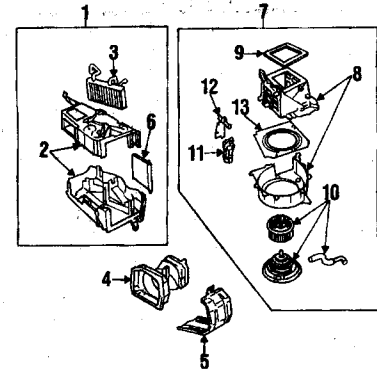
# PARTS: Part is included with condenser.  
 † PARTS: Part is included with receiver-drier.  
 ‡ LABOR: Time is for overhaul.



**EVAPORATOR COMPONENTS  
1994**

<b>1 Evaporator Assy</b>			
94	499.96	m 1.2 73060 AA211	
<b>2 Core</b>			
94	349.95 #m	1.2 73061 AA010	
<b>3 Expansion valve</b>			
94	58.98 #m	1.0 73067 AA040	
<b>4 Pipe</b>			
94	39.95 #	73052 AA160	
<b>Case</b>			
upper.....	94	43.33 #	73062 AA030
lower.....	94	36.82 #	73062 AA041

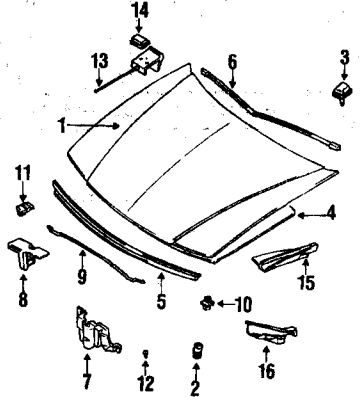
# PARTS: Part is included in evaporator assembly.



**HEATER COMPONENTS**

<b>1 Heater Assy</b>			
w/ auto air.....	90-94	392.40	m 2.5 72010 AA180
w/ auto air.....	90	662.79	m 2.5 72010 AA090
.....	91-92	640.53	m 2.5 72010 AA091
<b>2 Housing</b>			
90-94	204.45 #	72054 AA141	
<b>3 Core</b>			
90-94	249.95 #m	2.5 72012 AA010	
<b>4 Heat duct</b>			
90-94	137.33	72071 AA170	
<b>5 Cover</b>			
90-94	124.08	72009 AA010	
<b>6 Flap</b>			
90-94	40.97 #	72042 AA140	
<b>7 Blower Assy</b>			
w/ auto air	90	349.95	m 0.6 72020 AA030
to 6/90.....	91	349.95	m 0.6 72020 AA031
from 7/90 to 7/91.....	91-94	349.95	m 0.6 72020 AA042
from 8/91.....	90-91	349.95	m 0.6 72020 AA060
w/ auto air.....	91-92	349.95	m 0.6 72020 AA062
.....	91-92	349.95	m 0.6 72054 AA160
<b>8 Blower case</b>			
90	96.68 #	72054 AA161	
91-94	91.62 #	72054 AA161	
<b>13 gasket</b>			
90-94	22.45 #	72052 AA080	
<b>Seal</b>			
<b>9 inlet</b>			
90-94	16.03 #	72058 AA100	
<b>10 Fan &amp; motor</b>			
90-94	279.95 #m	0.6 72023 AA091	
90-94	186.45 #	72041 AA010	
<b>11 Actuator</b>			
90-94	10.73 #	72052 AA091	
<b>12 Bracket</b>			

# PARTS: Part is included in heater assembly.  
 † PARTS: Part is included in blower assembly.



**REFINISHING NOTES**

Refin hood underside.....	90-94	p1.7
<b>R&amp;I OPERATIONS</b>		
R&I hood Assy.....	90-94	0.5

**PARTS AND R&R OPERATIONS**

**HOOD & COMPONENTS**

<b>1 Hood</b>			
w/ turbo.....	(p.5) 90-91	319.98 #	1.2 57220 AA052
.....	(p.5) 92-94	319.98 #	1.2 57220 AA121
w/ turbo.....	(p.5) 91	319.98 #	1.2 57220 AA030
.....	(p.5) 92-94	319.98 #	1.2 57220 AA131
<b>2 Stepper</b>			
90-94	2.33	57254 AA011	
<b>3 Washer nozzle</b>			
90-94 R	19.95	0.2 86636 FA150	
90-94 L	19.95	0.2 86636 FA160	
90-94	19.95	86636 GA760	
<b>Nozzle gasket</b>			
90-94	3.18	86623 AA010	
<b>4 Insulator pad</b>			
w/ turbo.....	90-91	160.15 @	0.3 90815 AA330
.....	92-94		NOT LISTED

CONTINUED

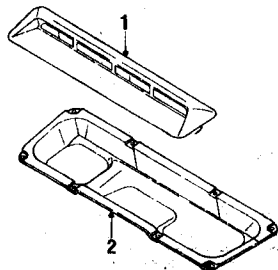
# 1990-94 SUBARU LEGACY

ARI 7520

## HOOD (CONT)

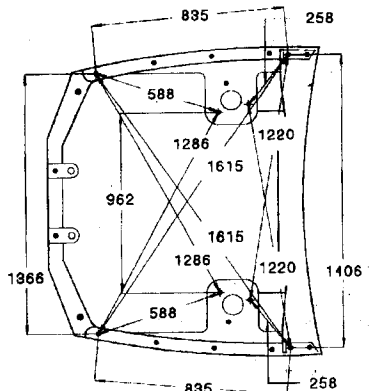
w/turbo.....	91	173.30 @	0.3	90815 AA090
	92-94	120.20 @	0.3	90815 AA380
clip.....	90-94	2.28		90814 AA000
<b>Seal strip</b>				
5 front.....	90-91	36.97	0.3	57252 AA010
	92-94	34.70	0.3	57252 AA040
6 rear.....	90-94	36.97	0.3	57252 AA000
clip.....	90-94	.64 †		57256 AA000
7 Lock.....	90-91	76.18	0.4	57310 AA031
	92-94	69.42	0.4	57310 AA070
8 Striker.....	90-94	24.70	0.4	57311 AA000
9 Stay rod.....	90-94	18.73 @	0.3	57251 AA010
retainer clip				
10 outer.....	90-94	2.80		57255 AA000
11 inner.....	90-94	3.02		57255 AA010
bushing.....	90-94	2.80		57253 AA010
12 Protector.....	90-94	3.87		57253 AA020
13 Release cable.....	90-94	12.30	1.2	57330 AA100
Release lever.....	90-91	14.42 †		57341A A010BI
	92-94	8.68 †		57341A A010BK
14 mount plate.....	90-91	8.65		57335 AA000
15 Hinge.....	(p.3) 90-94 R	20.60 †	0.5	57260 AA060
	(p.3) 90-94 L	20.60 †	0.5	57260 AA070
16 Hinge cover.....	90-94 R	3.87		57257 AA000
	90-94 L	3.87		57257 AA010

# PARTS: Does not include stopper, nozzle & insulator.  
 † PARTS: Part is included with front seal.  
 ‡ PARTS: Order by color. Does not include retaining plate.  
 @ PARTS: Does not include clips.  
 † LABOR: After hood is removed.



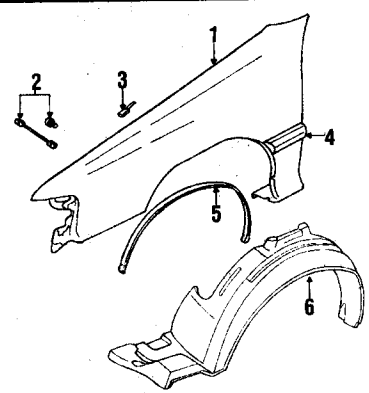
### HOOD SCOOP

1 Grille.....	(p.3) 91	185.08	0.3	90817A A000NN
	(p.3) 92-94	185.08	0.3	90817A A020NN
2 Dust.....	91	223.77		90818 AA000
	92-94	223.77		90818 AA030



### UNDERHOOD DIAGRAM 1990-94 LEGACY

Refer to MOTOR "COLLISION REPAIR DATA" manual for complete vehicle dimensions. All dimensions provided are in millimeters.



### REFINISHING NOTES

Refn fender edges.....	90-94	p.5
------------------------	-------	-----

### OVERLAP OPERATIONS

R&R fender Assy with bumper off		
deduct.....	90-94	0.4
R&R apron Assy with rod support off	90-94	p1.5 † s 9.0
deduct.....	90-94	s 1.0

### R&I OPERATIONS

R&I fender Assy.....	90-94 B	1.5
----------------------	---------	-----

### PARTS AND R&R OPERATIONS

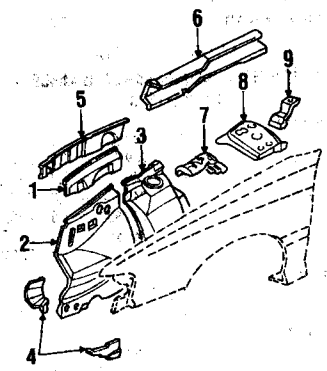
#### FINDER & COMPONENTS

1 Fender.....	(p.2,8) 90-91 R	189.95	2.0	57110 AA000
	(p.2,8) 90-91 L	189.95	2.0	57110 AA010
	(p.2,8) 92-94 R	189.95	2.0	57110 AA060
	(p.2,8) 92-94 L	189.95	2.0	57110 AA070
2 brace.....	90-91 R	18.00		57130 AA120
	90-91 L	18.00		57130 AA130
	92-94			NOT USED
3 tab.....	90-93 R	5.75		57150 AA000
	90-93 L	5.75		57150 AA010
	94			NOT USED
Hood bumper.....	90-94	3.87		57254 AA020

#### EXTERIOR TRIM

4 Body side midg w/o LS.....	90-91 R	32.25 #	0.3	91069 AA000
	90-91 L	32.25 #	0.3	91069 AA010
w/LS.....	90-91 R	32.25 #	0.3	91069 AA020
	90-91 L	32.25 #	0.3	91069 AA030
all.....	92-94 R	43.03	0.3	91069 AB100
	92-94 L	43.03	0.3	91069 AB110
retainer clip.....	90-91	5.78 †		91017 AA040
	92-94	4.50 †		91017 AA120
bushing.....	92-94	3.18 †		91017 AA260
5 Wheel opng midg.....	(d.3) 90-91 R	67.48 †	0.3	59121 AA061
	(d.3) 90-91 L	67.48 †	0.3	59121 AA071
to 8/92.....	(d.3) 92-93 R	37.50	0.3	59121 AA160
	(d.3) 92-93 L	37.50	0.3	59121 AA170
from 9/92.....	(d.3) 93-94 R	8.50	0.3	59121 AA180
	(d.3) 93-94 L	8.50	0.3	59121 AA190
retainer.....	90-94	.84		59130 AA000
6 Stone deflector.....	90-91 R	37.50	0.5	59120 AA000
	90-91 L	37.50	0.5	59120 AA010
USA built.....	92-94 R	37.50	0.5	59120 AA060
	92-94 L	37.50	0.5	59120 AA070
Japan built.....	92-94 R	37.50	0.5	59120 AA020
	92-94 L	37.50	0.5	59120 AA030
retainer.....	90-94	.84		59130 AA000

# PARTS: Part number is for black, order by color.  
 † PARTS: Order by color.  
 ‡ PARTS: Included with molding.  
 † PARTS: Apron assembly includes front apron rail reinforcement.



### STRUCTURAL COMPONENTS & RAILS

1 Rail rein.....	90-94 R	69.98		51610 AA140
	90-94 L	69.98		51610 AA150
Apron Assy				
2 front.....	(p.5) 90-94 R	299.98 # s	5.0	51610 AA064
	(p.5) 90-94 L	299.98 # s	5.0	51610 AA074
3 rear.....	(p.5) 90-94 R	227.78 † s	9.0	51625 AA421
	(p.5) 90-94 L	227.78 † s	9.0	51625 AA431
4 Extension w/o turbo.....	90-94 R	39.95		51233 AA140
	90-94 L	39.95		51233 AA150
w/turbo.....	91-94 R	39.95		51233 AA500
	91-94 L	39.95		51233 AA510
5 Upper rail.....	(p.5) 90-94 R	69.95 † s	3.0	51021 AA020
	(p.5) 90-94 L	69.95 † s	3.0	51021 AA030
6 Sidemember rail.....	90-94 R	169.95 * s	8.0	51231 AA301
	90-94 L	169.95 * s	8.0	51231 AA311
7 Reinforcement.....	90-94	39.95		51233 AA530
Battery tray.....				SEE FOOTNOTE
8 Support bracket.....	90-94	56.20		51625 AA711
9 reservoir.....	90-94	7.45		51234 AA110

† PARTS: Part is listed in ELECTRICAL group.  
 † LABOR: After bumper, headlamp, fender and all necessary bolted on parts are removed.  
 † LABOR: After fender and all necessary bolted on parts are removed.  
 † LABOR: After headlamp, fender and all necessary bolted on parts are removed. & rear housing and extension.  
 † LABOR: After bumper, headlamp, fender, suspension and all necessary bolted on parts are removed.

### PARTS AND R&R OPERATIONS

#### BATTERY

Battery hold down.....	90-94	75.78	m 0.3	SOA40 71120
	90-94	16.23		82182 AA030
bolt to 7/91.....	90-91	6.25		82161 AA040
Japan built.....	91	6.25		82161 AA040
USA built.....	91-94	6.25		82161 AA040
Tray.....	90-94	8.50		82122 AA011
USA built.....	91-94	17.47		82122 AA030
bracket.....				SEE FOOTNOTE
Battery label.....	90-94	4.37	0.2	78216 3049
Cable Assy to 2/89.....	90	76.18		81601 AA100
from 3/89.....	90-94	79.80		81601 AA150
manual trans.....	90-94	79.80		81601 AA160
auto trans.....	90	23.28		81608 GA020
Positive term.....	91-94	12.13		81608 GA110
cover.....	90-94	4.90		81611 AA000

#### ALTERNATOR

Alternator.....	90-94	299.95	m 0.7	23700A A090R1
Mount bracket w/o AC.....	90-93	28.35		11711 AA020
	94	28.35		11711 AA020
bracket.....	90-94	5.13		11717 AA030
Pulley.....	90-94	35.10 † m	0.3	23752 AA010
Regulator.....	90-94	281.13 †		23815 AA010

#### IGNITION SYSTEM

w/o turbo.....	90-91	650.76 # m	0.5	22611 AA564
manual trans.....	92	659.74 # m	0.5	22611 AA933
	93	659.74 # m	0.5	22611 AB060
	94	659.74 # m	0.5	22611 AB770
auto trans.....	90-91	639.13 # m	0.5	22611 AA933
	92	659.74 # m	0.5	22611 AA933
	93	797.77 # m	0.5	22611 AB050
	94	419.96 # m	0.5	22611 AB760
w/turbo.....	91-94	659.74 # m	0.5	22611 AA694

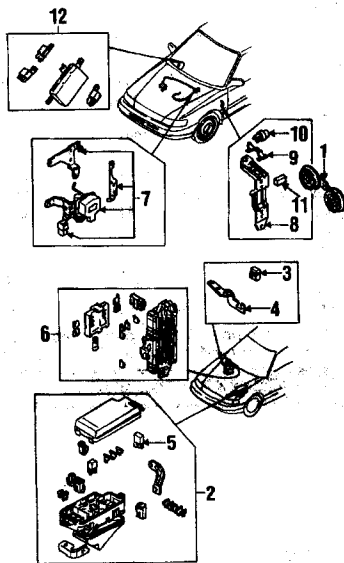
Please contact our Product Support Group if you require assistance locating, interpreting or using any information contained in this Estimating Guide. Toll Free Number: 1-800-426-6867.

<b>Igniter</b>					
w/o turbo	90-94	119.95	m 0.5	22438 AA04A	
manual trans	90-94	249.98	m 0.5	22436 AA010	
auto trans	90-94	249.98	m 0.5	22436 AA010	
w/turbo	91-94	249.98	m 0.5	22436 AA010	
<b>Relay</b>	90-94	33.48	m 0.5	82501 GA240	
<b>Ignition coil</b>					
w/o turbo	90-94	99.98	m 0.5	22433 AA240	
manual trans	90-94	107.12	m 0.5	22433 AA230	
auto trans	90-94	107.12	m 0.5	22433 AA230	
w/turbo	91-94	107.12	m 0.5	22433 AA230	
<b>Sensor</b>					
crank angle	90-94	305.00	m 0.6	22053 AA010	
cam	90-94	175.67	m 0.4	22056 AA070	
<b>Ignition switch</b>	90-94			SEE FOOTNOTE	

<b>ANTENNA SEDAN</b>					
<b>Antenna, manual</b>	90-94	51.28	0.8	SOA33 3D468	
<b>bezel</b>	90-94	3.75		86352 AA010	
<b>Antenna, power</b>					
to 8/90	90-91	129.98	0.8	SOA44 7D465	
from 9/90	91-94	179.95	0.8	86321 AA090	

<b>ANTENNA WAGON</b>					
<b>Antenna Assy</b>					
manual					
w/o touring wagon	90-92	51.28	0.8	SOA33 3D469	
w/outing wagon	90	39.95	0.8	86321 AA040	
power	90-94	235.87	0.8	SOA33 3D470	
<b>Must</b>	90-94	39.95	0.8	86322 AA020	

\* PARTS: For estimating purposes only. Order by year & engine type.  
 † PARTS: Part is included in alternator assembly.  
 ‡ PARTS: Part is listed in STEERING COLUMN group.  
 @ PARTS: Part is listed in FENDER group.

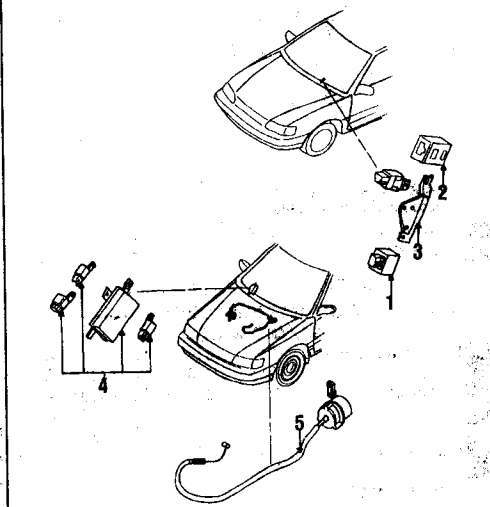


<b>HORN</b>					
<b>1 Horn</b>					
High note	90-94	39.95	0.3	86012 AA011	
Low note	90-94	39.95	0.3	86012 AA000	

**ELECTRICAL COMPONENTS**  
 Parts listed are for estimating purposes only. Order by year and application. For a comprehensive listing and exact location see Motor Locator Manual.

<b>2 Fuse box</b>					
Japan built	90-94	209.18	m 1.0	82232 AA001	
USA built	91-94	196.35	m 1.0	82232 AA021	
<b>Fuse box cover</b>					
upper	90-94	7.67		82243 AA001	
lower	90-94	14.18		82243 AA010	
<b>side bracket</b>	90-94	3.98		82231 AA000	
<b>lower bracket</b>	90-94	3.98		81042 AA020	
<b>Holder</b>					
<b>3 FWD fuse</b>	90-94	18.42		82234 AA030	
<b>4 bracket</b>	90-94	5.50		81042 AA060	
<b>Relay</b>					
<b>5 headlamp</b>	90-94	39.85	m 0.3	82501 AA210	
<b>6 Fuse box</b>					
secondary, Japan built					
w/o air bag	90-94	233.53	m 1.5	82215 AA010	
w/air bag	92-94	194.58	m 1.5	82215 AA050	
secondary, USA built					
w/o air bag	90-94	285.95	m 1.5	82215 AA040	
w/air bag	92-94	194.58	m 1.5	82215 AA060	

<b>Japan built</b>					
w/o air bag	90-94	14.42		82251 AA010	
w/air bag	92-94	8.78		82251 AA050	
<b>USA built</b>					
w/o air bag	91-94	14.13		82251 AA040	
w/air bag	92-94	8.78		82251 AA060	
<b>Relay</b>	90-94	26.70		82501 AA080	
<b>Pump Assy</b>					
cruise control	90-94	155.10	m 0.5	87052 AA031	
<b>bracket</b>					
main base	90-94	12.75		87015 AA050	
front	90-94	12.75		87015 AA070	
rear	90-94	12.75		87015 AA060	
<b>10 Relay</b>	90-94	33.48		82501 GA240	
<b>8 bracket</b>	90-94	7.03		82511 AA001	
<b>9 clip</b>	90-94	3.67		81910 AA150	
<b>11 Horn relay</b>	90-94	8.32	m 0.3	82501 AA030	
<b>Resistor</b>					
transmission	90-91	79.95		22654 AA041	
	92-94	94.43		22654 AA050	

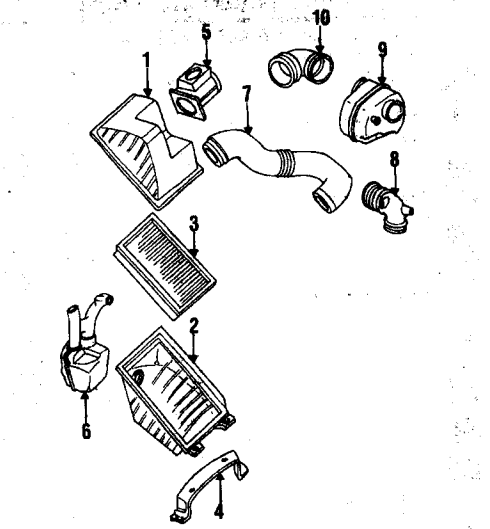


<b>COMPONENTS ON DASH PANEL</b>					
<b>Control Assy</b>					
<b>1 illumination</b>	90-94	107.63		83023 AA010	
<b>2 belt timer</b>	90-94	93.67		88013 AA030	
<b>3 bracket</b>	90-94	4.98		83422 AA030	
<b>4 Control module</b>					
cruise control	90	279.95	m 0.4	87022 AA051	
man trans w/o turbo	91-94	269.95	m 0.4	87022 AA200	
man trans w/turbo	91-94	299.95	m 0.4	87022 AA320	
auto trans	90	279.95	m 0.4	87022 AA041	
auto tran w/o turbo	91-94	269.95	m 0.4	87022 AA190	
auto trans w/turbo	91-94	299.95	m 0.4	87022 AA310	
<b>5 Cruise servo</b>	90-94	143.12	m 0.5	87012 AA031	

**R&I OPERATIONS**  
**R&I engine Assy**

w/manual trans	90-94	m 5.9
w/auto trans	90-94	m 6.7

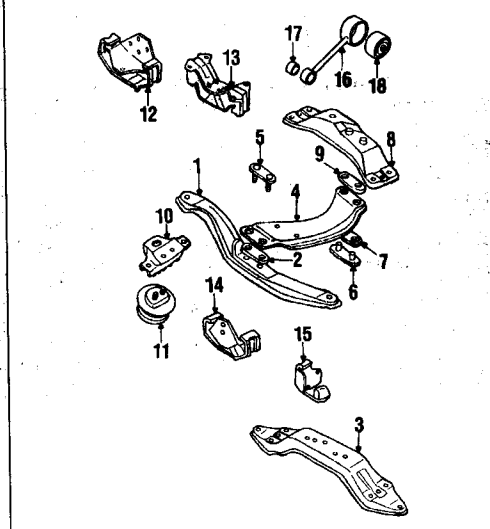
**PARTS AND R&R OPERATIONS**



<b>AIR INTAKE</b>					
<b>Air cleaner</b>					
<b>1 upper</b>	90-94	114.95	m 0.5	46053 AA080	
<b>2 lower</b>	90-94	114.95	m 0.5	46053 AA090	
<b>4 bracket</b>	90-94	4.78		46031 AA010	
<b>3 Filter element</b>	90-94	14.95		16546 AA020	
<b>5 Air mass sensor</b>					
w/o turbo					
manual trans	90-94	389.32		22680 AA170	
auto trans	90-94	355.42		22680 AA160	
w/turbo	91-94	389.32		22680 AA170	
<b>6 Plenum</b>					
w/o turbo	90-94	66.38	m 0.3	46032 AA030	
w/turbo	91-94	176.87	m 0.3	46032 AA110	
<b>Air duct</b>					
<b>7 w/o turbo</b>	90-94	227.40	m 0.3	14457 AA050	
<b>8 front</b>	91-94	90.37	m 0.3	46023 AA110	
<b>9 resonator</b>	92-94	29.95	m 0.3	46032 AA140	
<b>10 rear</b>	91-94	19.95	m 0.3	46023 AA020	

<b>ENGINE PARTS</b>					
<b>256 Crankshaft pulley</b>					
	90-94	80.07	m 0.6	12305 AA121	
<b>Timing cover</b>					
<b>outer</b>					
center w/o turbo	90-94	49.43	†m 1.5	13570 AA052	
center w/turbo	91-94	64.60	†m 1.5	13570 AA044	
end	90-94 R	29.95	†m 1.5	13572 AA030	
	90-94 L	29.95	†m 1.5	13574 AA040	
inner	90-94 R	29.95	†m 1.5	13568 AA035	
	90-94 L	35.03	†m 1.5	13575 AA055	
<b>Oil pan</b>	90-92	61.93	m 2.0	11109 AA051	
	93-94	94.40	m 2.0	11109 AA091	
<b>Oil filter</b>	90-94	5.98	m 0.5	15208 AA060	

\* LABOR: Time is for inner and outer.  
 † LABOR: Time is for upper and lower.



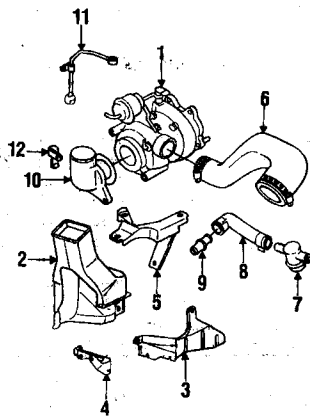
CONTINUED

## ENGINE / TRANSAXLE (CONT)

### ENGINE & TRANS MOUNTING

Front c'member			
1 manual trans	90-94	190.68 m 1.0	41021 AC170
2 auto trans	90-94	88.62 m 1.0	41021 FA070
Center c'member			
4	90-94	101.13 † m 0.5	41021 AC310
stud plate			
5 upper	90-93	13.33	41025 AA000
6 lower	90-94	13.33	41025 AA010
Rear crossmember			
8	90-94	72.37 † m 2.5	41021 AC240
Cushion			
2 front	90-94	12.08 †	41022 GA400
7 center	90-94	12.08 †	41022 GA200
9 rear	90-94	12.08 †	41022 GA400
10 Front mount brkt			
w/o turbo			
to 4/90	90	R 56.48	41031 AA340
	90	L 56.48	41031 AA350
from 4/90	90-91	R 56.48	41031 AA340
	90-91	L 56.48	41031 AA350
	92-94	R 18.05 †	41031 AA110
	92-94	L 18.05 †	41031 AA120
w/turbo	91-94	R 60.80 †	41031 AA380
	91-94	L 60.80 †	41031 AA390
11 Front mount			
w/o turbo			
	90-94	R 130.30 m 1.0	41022 AC001
	90-94	L 149.73 m 1.0	41022 AC011
w/turbo			
	90-94	R 130.30 m 1.0	41022 AC001
	90-94	L 149.73 m 1.0	41022 AC011
Rear mount			
manual trans			
12 2WD	90-94	116.03 m 0.6	41022 AA111
13 4WD	90-94	129.68 m 0.6	41022 AA180
auto trans			
14 2WD	90-94	113.50 m 0.6	41022 AC171
15 4WD	90-94	R 64.00 m 0.6	41022 AA23 †
	90-94	L 64.00 m 0.6	41022 AA24 †
16 stopper bushing	90-94	87.83	41041 GA391
17 front	90-94	7.43 †	64103 8000
18 rear	90-94	32.05 †	41022 GA410

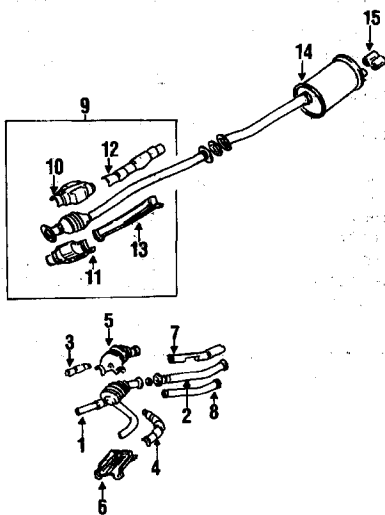
# PARTS: Order by description.  
 † PARTS: Part is included with stopper rod.  
 ‡ PARTS: Part is for manual transmission only.



### TURBOCHARGER & COMPONENTS

1 Turbocharger	91-94	932.99 m 2.0	14412 AA070
Cover			
2 upper	91-94	225.08	44033 AA133
3 lower	91-94	26.33	44033 AA030
bracket			
4 lower	91-94	15.68	44021 AA012
5 stay	91-94	90.37	14421 AA010
6 Air inlet duct	91-94	187.30	14462 AA060
7 By-pass valve	91-94	178.95	14471 AA001
8 Hose	91-94	9.95	80751 9222
9 connector	91-94	7.95	22683 AA010
Elbow			
10 Blower inlet	91-94	126.42	14419 AA030
11 Oil pipe	91-94	108.42	15192 AA021
12 stay	91-94	16.25	15182 AA020

# PARTS: Order by description.  
 † PARTS: Extension section after 1991 is part of the front pipe.  
 ‡ PARTS: Part is included in center pipe assembly.



### OVERLAP OPERATIONS

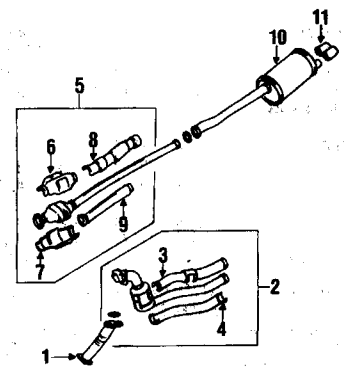
#### R&R exhaust system rearward of manifolds

w/o turbo	90-94	m 1.5
w/turbo	90-94	m 1.9

### PARTS AND R&R OPERATIONS

EXHAUST COMPONENTS W/O TURBO			
1 Converter & pipe			
Federal	90-91	398.78 m 1.0	44105 AA081
	92-94	377.10 m 1.0	44105 AA341
California	92	372.73 m 1.0	44105 AA410
	93	372.73 m 1.0	44105 AA412
	94	372.73 m 1.0	44105 AA412
2 Extension pipe	90-91	144.58	44142 AA570
	92-94	1	NOT SERVICED
Heat shield			
front pipe			
3 upper	90-94	R 20.12	44131 AA801
	90-94	L 35.05	44131 AA121
4 lower	90-94	R 15.30 †	44131 AA811
	90-94	L 37.33 †	44131 AA981
converter			
5 upper	90-92	64.72	44133 AA590
	93-94	47.18	44131 AA072
6 lower	90-91	57.25	44131 AA951
	92-94	37.33	44131 AA56 †
extension pipe			
7 upper	90-91	42.03	44131 AA831
	92-94	29.00	44133 AA550
8 lower	90-91	35.67	44131 AA841
	92-94		NOT LISTED
9 Center pipe	90-94	249.95 m 0.6	44200 AA371
14 Muffler			
sedan			
2WD	90-94	129.95 m 0.6	SOA83 76000
4WD	90-94	129.95 m 0.6	SOA83 75900
wagon			
2WD	90-94	129.95 m 0.6	SOA83 75500
4WD	90-94	129.95 m 0.6	SOA83 75400
Shield			
muffler cover			
	90-94	99.13	59024 AA091
front center pipe			
10 upper	90-94	35.05 †	44221 AA101
11 lower	90-94	57.30 †	44221 AA021
rear center pipe			
12 upper	90-91	30.63 †	44221 AA110
	92-94	21.15 †	44221 AA460
13 lower	90-91	30.63 †	44221 AA120
fuel tank			
2WD	90-94	95.63	42030 AA090
4WD	90-94	95.48	42030 AA080
bracket			
	90-94	28.45	42050 AA240
15 Tailpipe	90-94	48.82 m 0.4	44070 AA001

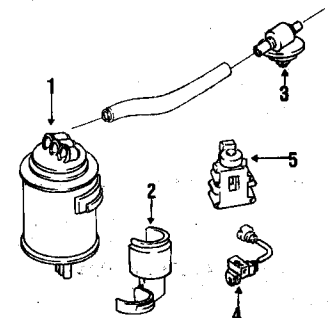
# PARTS: Order by description.  
 † PARTS: Extension section after 1991 is part of the front pipe.  
 ‡ PARTS: Part is included in center pipe assembly.



### EXHAUST COMPONENTS W/TURBO

Exhaust manifold			
	91-94	R 591.16 m 0.8	14010 AA020
	91-94	L 313.68 m 0.8	14023 AA020
1 Adapter	91-94	259.77	44104 AA010
2 Center pipe			
manual trans	91-94	425.36 m 1.0	44102 AA030
auto trans	91-94	425.36 m 1.0	44102 AA020
shield			
3 upper	91-94	50.58 †	44131 AA750
4 lower	91-94	50.58 †	44131 AA940
5 Rear pipe assy	91	271.65 m 0.8	44200 AA240
	92-94	333.85 m 0.8	44200 AA401
shield			
front			
6 upper	91-94	55.18 †	44221 AA351
7 lower	91	57.78 †	44221 AA360
	92-94	51.25 †	44221 AA361
rear			
8 upper	91-94	46.93 †	44221 AA060
9 lower	91-94	28.62 †	44221 AA370
10 Muffler			
2WD	91	199.95 m 0.6	44304 AA200
4WD, sedan	91-94	199.95 m 0.6	44304 AA210
4WD, wagon	92-94	219.95 m 0.6	44304 AA220
Cover shield			
	91-94	99.13	59024 AA091
11 Tailpipe			
Shield			
Fuel tank heat			
	91-94	95.63	42030 AA090
4WD	91-94	95.48	42030 AA080
bracket	91-94	28.45	42050 AA240

# PARTS: Part is included in rear pipe assembly.  
 ‡ PARTS: Part is included in center pipe assembly.

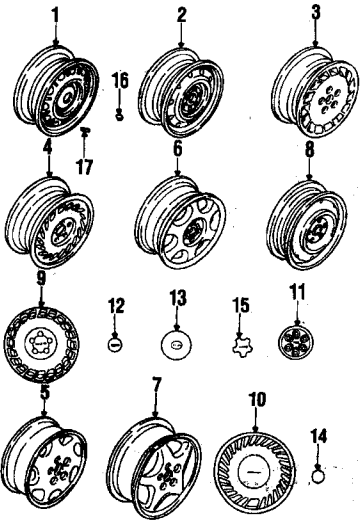


### PARTS AND R&R OPERATIONS

#### EMISSION COMPONENTS

Oxygen sensor			
w/o turbo			
to 6/89	90	119.95 † m 0.8	22690 AA090
from 7/89	90-94	139.95 † m 0.8	22690 AA150 †
w/turbo	91-94	139.95 † m 0.8	22690 AA161 †
bracket	91	21.45	22691 AA002
1 Vapor canister			
w/o turbo	90-94	91.82	0.4 42036 AA000
w/turbo	91-94	120.97	0.4 42036 AA040
2 bracket			
	90-94	49.60	42050 AA000
3 Purge valve			
	91-94	79.55	42084 GA460
4 Solenoid valve			
	90-94	81.48	14774 AA351
5 Air entrainment valve			
w/o turbo	90-94	328.23 m 0.6	22650 AA034
w/turbo	91-94	299.95 m 0.6	22650 AA111

# PARTS: For estimating purposes only. Order by year & engine type.



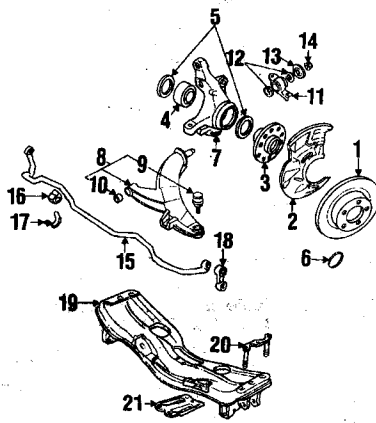
R&I OPERATIONS

R&I wheel	90-94 B	m 0.1
-----------	---------	-------

PARTS AND R&R OPERATIONS

WHEELS			
<b>Wheel, steel</b>			
1	14 x 5, silver	(p.5) 90	119.95 # m 0.3 28111 AA171
	14 x 5, black		
	to 6/91	(p.5) 90-92	119.95 # m 0.3 28111 AA181
	from 7/91	(p.5) 92-94	119.95 # m 0.3 28111 AA181
2	14 X 5.5	(p.5) 90-91	119.95 # m 0.3 28111 AA241
		92	283.40 # m 0.3 28111 AA140
<b>Wheel, alloy</b>			
	w/ turbo		
4	type 1	91-94	231.67 # m 0.3 28111 AA420
5	type 2	94	63.95 # m 0.3 B3118 FA010
6	w/ turbo	91	424.54 # m 0.3 28111 AA400
		92-93	405.00 # m 0.3 28111 AA340
		94	405.00 # m 0.3 28111 FA170
<b>Spare wheel</b>			
	2WD	(p.5) 90-94	119.95 28111 AA090
	4WD	(p.5) 90-94	119.95 28111 AA110
<b>Wheel cover</b>			
9		90-91	63.25 28811 AA010
10		92-93	63.25 28811 AA080
		94	63.25 28811 AA310
<b>Center cap</b>			
11	type 1	90	29.95 28811 AA001
12	type 2	90	29.95 28811 AA040
13	type 3		
	USA built	91	39.95 28811 AA120
	Japan built	91	39.95 28811 AA050
		92-94	39.95 28811 AA051
14	type 4		
	w/ turbo	94	9.95 28811 FA030
	w/ turbo	94	29.95 28811 FA100
15	type 5		
	dark grey	91-92	29.95 28811 AA071
	gold	93	29.95 28811 AA250
<b>Wheel nut</b>			
	steel wheel	90-94	1.95 62300 6003
	aluminum wheel	90-91	4.95 23118 GA050
		92-94	1.95 62300 6021
17	Valve stem	90-94	2.43 23142 GA040

# LABOR: Add for balance, weights and valve stem.



ADD IF REQUIRED

Wheel alignment			
	align front wheels	90-94	m 1.2
	adjust toe-in	90-94	m 0.7
	align four wheels	90-94	m 1.8
<b>Brake system</b>			
	w/ ABS	90-94	m 0.3
	w/ ABS	90-94	m 0.6

OVERHAUL OPERATIONS

O/H suspension			
	one side	90-94 B	m 4.0
	both sides	90-94	m 7.8

R&I OPERATIONS

R&I suspension			
	one side	90-94 B	m 3.0
	both sides	90-94	m 5.8

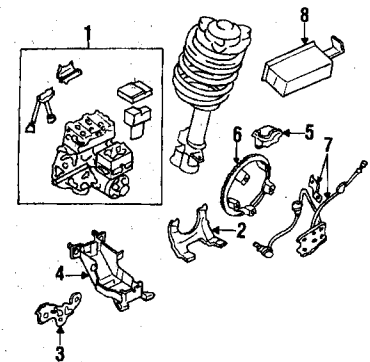
PARTS AND R&R OPERATIONS

BRAKE COMPONENTS					
<b>1 Rotor</b>					
14"		90-94 B	69.95 m 1.3	26310 AC060	
15"		91-94 B	69.95 m 1.3	26310 AA092	
<b>2 Splash shield</b>					
14"					
to 10/91		90-92 R	26.05 @m 0.3	26290 AA000	
		90-92 L	26.05 @m 0.3	26290 AA010	
from 11/91		92-94 B	24.73 @m 0.3	26290 FA000	
15"					
to 10/91		91-92 R	42.83 @m 0.3	26290 AA020	
		91-92 L	42.83 @m 0.3	26290 AA030	
from 11/91		92-94 B	24.73 @m 0.3	26290 FA000	
<b>Calliper</b>					
14"					
to 12/89		90 R	299.95 m 0.8	26220 AA141	
		90 L	299.95 m 0.8	26220 AA151	
from 1/90		90-91 R	679.23 m 0.8	26220 AA180	
		90-91 L	679.23 m 0.8	26220 AA190	
		92-94 R	151.65 #m 0.8	26291A A000R1	
		92-94 L	151.65 #m 0.8	26291A A010R1	
15"					
to 9/92		91 L	692.56 m 0.8	26220 AA101	
		91 L	692.56 m 0.8	26220 AA111	
		92-93 R	205.50 #m 0.8	26291 AA040	
		92-93 L	205.50 #m 0.8	26291 AA060	
from 10/92		93-94 R	205.50 #m 0.8	26291 AA04#	
		93-94 L	205.50 #m 0.8	26291 AA05#	
<b>Hub</b>					
		90-94 R	55.12 m 0.5	26531 AA001	
		90-94 L	55.12 m 0.5	26531 AA010	
		92-94 R	54.22 m 0.5	X2651 AA010	
		92-94 L	54.22 m 0.5	X2651 AA020	

SUSPENSION COMPONENTS					
<b>3 Hub</b>					
to 2/89		90 B	109.88 #m 2.0	28052 AA010	
from 3/89					
		90-94 B	149.33 #m 2.0	28052 AA000	
		90-94 B	109.88 #m 2.0	28052 AA010	
<b>4 Bearing</b>					
		90-94 B	74.50 #m 2.0	28016A A011NT	
<b>5 seal</b>					
		90-94 B	11.02 #m 2.0	90625 0020	
		90-94 B	12.35 #m 2.0	28015 AA021	
<b>6 snap ring</b>					
		90-94	6.95	28035 AA010	
<b>7 Steering knuckle</b>					
		90-94 R	119.45 m 2.5	28012 AA004	
		90-94 L	163.28 m 2.5	28012 AA014	
		90-94 R	119.45 m 2.5	28012 AA004	
		90-94 L	163.28 m 2.5	28012 AA014	
<b>8 Control arm</b>					
		90-94 R	172.55 #m 1.2	20200A C200F	
		90-94 L	172.55 #m 1.2	20200A C210F	
<b>9 Ball joint</b>					
		90-94 B	29.98 m 0.8	21067 GA050	

Bushing					
352	10 front	90-94	39.07	20201 AA000	
353	11 rear	90-94 R	98.88	20201 AA031	
354		90-94 L	98.88	20201 AA041	
<b>12 Stopper</b>					
355	front	90-94	12.40	20202 AA000	
356	rear	90-94	12.40	20202 AA010	
357	<b>13 Washer</b>	90-94	8.13	20206 AA000	
358	<b>14 Lock nut</b>	90-94	1.30	20207 AA000	
<b>15 Stabilizer bar</b>					
	w/ turbo				
359	w/ air suspension	90-94	147.53 m 0.8	20410 AA030	
360	w/ air suspension	90-94	149.95 m 0.8	20410 AA050	
	w/ turbo				
1623	2WD	91	196.85 m 0.8	20410 AA070	
1624	4WD	91-94	198.18 m 0.8	20410 AA060	
<b>16 bushing</b>					
362	w/ air suspension	90-94	9.62	21047 GA671	
363	w/ air suspension	90-94	4.82	20401 FA021	
<b>17 clamp</b>					
364		90-94	5.05	21050 GA173	
<b>18 link</b>					
367		90-94	51.70	20420 AA004	
<b>belt</b>					
324		90-94	1.40	01671 0603	
<b>nut</b>					
325		90-94	3.60	02351 0006	
<b>19 Susp crossmember</b>					
350	w/ turbo	90-94	314.17 <s 6.0	20100 AA101	
1178	w/ turbo	91-94	376.19 <s 6.0	20100 AA111	
<b>20 stud plate</b>					
368		90-94	13.95	20540 AA030	
<b>21 Jack pad</b>					
370		90-94	13.33	20510 AA000	
371	<b>Engine c'member</b>	90-94		SEE FOOTNOTE	

† PARTS: Part is included front bushing only.  
 ‡ PARTS: Beginning in 1992 caliper assemblies do not include pads.  
 \* PARTS: Part is listed in ENGINE/TRANSAXLE group.  
 < PARTS: Does not include stud & plate.  
 # LABOR: Time is for hub, bearings, or seals.  
 @ LABOR: After brake rotor is removed.

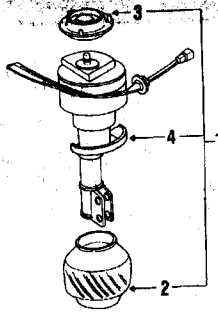
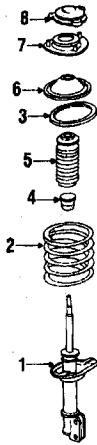


ABS COMPONENTS					
<b>1 Pump Assy</b>					
383	Nippon	90-92	1159.95 m 2.0	26730 AA001	
	manual trans	93-94	1159.95 m 2.0	26730 AA001	
	auto trans	93-94	999.95 m 2.0	26731 AA200	
384	Bosch	90-91	1295.95 m 2.0	26771 AA000	
<b>bracket</b>					
	Nippon manual trans				
385	2	lower to 2/92	90-92	33.42 #	26735 AA160
		lower from 3/92	92-94	33.42 #	26735 AA160
386	3	side	90-94	19.77 #	26734 AA001
		Nippon auto trans	92-94	36.10	26735 AA200
		Bosch	90-91	105.75	26735 AA140
<b>Sensor</b>					
387	5	G sensor	90-94	166.65 #	26740 AA040
388	6	speed sensor	90-94	103.40	26750 AA003
389	7	ABS sensor	90-94 R	149.98 m 0.5	26740 AA001
			90-94 L	149.98 m 0.5	26740 AA011
<b>8 Control module</b>					
1626	2WD		90-94	759.95 #m 0.8	26720 AA010
	4WD				
	manual trans		90-94	759.95 #m 0.8	26725 AA000
391		auto trans	90-92	759.95 #m 0.8	26725 AA010
392			93-94	759.95 #m 0.8	26720 AA210

# PARTS: Included in hydraulic unit assembly.  
 † PARTS: Order by description.  
 ‡ PARTS: Part is for manual transmission only.

CONTINUED

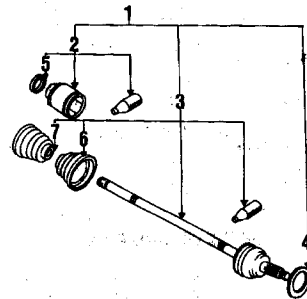




-----STRUTS & SUSPENSION COMPONENTS-----  
W/AIR SUSPENSION

392	1 Strut	90-94 R	357.14#m	2.0	20600 AC100
393		90-94 L	357.14#m	2.0	20600 AC110
396	3 mount	90-94	80.63		20320 AA010
394	2 Cover	90-94			NOT LISTED
397	4 Air tube	90-94	7.08		20713 AA020
<b>Compressor</b>					
398	to 6/91	90-92	501.91	m 0.7	20730 AA050
397-5	from 7/91	92-94	399.98	m 0.7	20730 AA053
399	Tank	90-94	333.65		20740 AA010
398-6	Dehydrator	90-94	223.88		20731 AA002

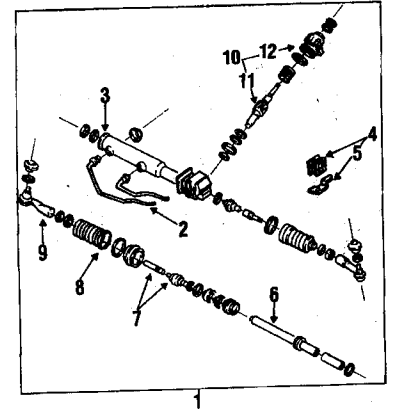
# PARTS: Order by year and model.



-----AXLE SHAFT-----

1	1 Axle Assy	manual trans, 2WD	90-94 B	309.95	m 1.0	28021 AA530
		manual trans, 4WD	90-94 B	299.95	m 1.0	28021 AC160
		auto trans, 2WD	90-94 B	309.95	m 1.0	28021 AA560
		auto trans, 4WD	90-94 B	299.95	m 1.0	28021 AC180
2	2 Inner joint Assy	manual trans, 2WD	90-94 B	171.70	m 1.5	28092 AA060
		manual trans, 4WD	90-92 B	171.70	m 1.5	28092 AA030
		from 10/91	92-94 B	171.70	m 1.5	28092 AA010
		auto trans, 2WD	90-94 B	171.70	m 1.5	28092 AA070
		auto trans, 4WD	90 B	171.70	m 1.5	28092 AA040
		w/o turbo	91-94 B	171.70	m 1.5	28092 AA110
		w/turbo to 9/91	91-92 B	171.70	m 1.5	28092 AA040
		w/turbo from 10/91	92-94 B	171.70	m 1.5	28092 AA110
3	3 Outer joint Assy	manual trans, 2WD	90-94 B	239.95	†m 0.5	28091 AA043
		manual trans, 4WD	90-92 B	239.95	†m 0.5	28091 AA024
		to 9/91	90-92 B	239.95	†m 0.5	28091 AA094
		from 10/91	92-94 B	239.95	†m 0.5	28091 AA094
		auto trans, 2WD	90-94 B	239.95	†m 0.5	28091 AA043
		auto trans, 4WD	90 B	239.95	†m 0.5	28091 AA024
		w/o turbo	91-94 B	239.95	†m 0.5	28091 AA094
		w/turbo to 9/91	91-92 B	239.95	†m 0.5	28091 AA024
		w/turbo from 10/91	92-94 B	239.95	†m 0.5	28091 AA094
4	4 Baffle plate	outer joint	90-94	6.95		28037 AA012
		inner joint	90-94	5.95		23233 GA071
5	5 Outer boot	2WD	90-94	12.65		28023 AA044
		4WD	90	12.65		28023 AA022
		4WD, manual trans	91-92	12.65		28023 AA022
		to 9/91	91-92	12.65		28023 AA022
		from 10/91	92-94	12.65		28023 AA022
		4WD, auto trans	91-94	12.65		28023 AA002
		w/o turbo	91-94	12.65		28023 AA022
		w/turbo to 9/91	91	12.65		28023 AA002
		w/turbo from 10/91	92-94	12.65		28023 AA002
7	7 Inner boot	2WD	90-94	12.92		28023 PA010
		4WD	90	12.65		28023 PA050
		4WD, manual trans	91-92	12.65		28023 PA050
		to 9/91	91-92	12.65		28023 AA011
		from 10/91	92-94	9.65		28023 AA011
		4WD, auto trans	91-94	9.65		28023 AA011

† LABOR: After shaft is removed.



OVERHAUL OPERATIONS

394	O/H steering gear	90-94	m 4.4
395	O/H steering column	90-94	m 3.0
396	w/o tilt	90-94	m 3.0
397	w/tilt	90-94	m 3.5

R&I OPERATIONS

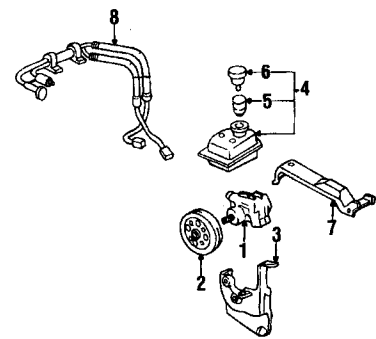
398	R&I steering gear	90-94	m 2.5
399	R&I steering column	90-94	m 1.0
400	w/air bag	90-94	m 1.3
401	w/air bag	90-94	m 1.3

PARTS AND R&R OPERATIONS

-----STEERING GEAR & LINKAGE-----

1	1 Gear Assy	90-91	644.96	m 2.5	34110 AA050
		USA built	92	644.96	m 2.5 34110 AA050
		93-94	676.66	m 2.5	34110 AA131
		Japan built	92	644.96	m 2.5 34110 AA050
		93-94	676.66	m 2.5	34110 AA131
2	2 Oil feed tube	90-94 R	14.95 †		34153 AA030
		90-94 L	14.95 †		34153 AA020
3	3 Housing	90-94	314.33 †		34111 AA020
6	6 Rack	90-92	331.38 #m 4.4		34116 AA020
		90-94 R	14.18 †		34115 AA030
		90-94 L	14.18 †		34115 AA020
4	4 mount	90-94 R	13.38 †		34115 AA030
		90-94 L	14.18 †		34115 AA020
5	5 mount bracket	90-94 R	11.18 †		34120 AA000
		90-94 L	11.18 †		34120 AA010
7	7 Inner tie rod	90-94	49.95 †m 1.5		34140 AA003
8	8 Boot	92-94	38.13 †		31232 GA082
9	9 Outer tie rod	90-92 R	49.95 †m 0.8		31320 GA180
		90-92 L	49.95 †m 0.8		31320 GA200
		93-94 B	49.95 †m 0.8		34141 AA040
		90-94	4.25 †		73133 5000
10	10 Pinion Assy	90-91	399.95 #m 4.4		34113 AA050
		w/o turbo	91	375.32 #m 4.4	34113 AA080
		w/turbo	91	375.32 #m 4.4	34113 AA080
		all	92-94	375.32 #m 4.4	34113 AA080
11	11 Pinion	90-91	516.00 †m 4.4		34113 AA040
		w/o turbo	91	399.95 †m 4.4	34113 AA108
		w/turbo	91	399.95 †m 4.4	34113 AA108
		all	92-94	399.95 †m 4.4	34113 AA108
12	12 Valve housing	90-94	79.98 @		34113 AA030
<b>Steering line</b>					
	pressure	90-94	59.95 †m 1.5		34153 AA040
	return	90-94	59.95 †m 1.0		34153 AA050

† PARTS: Part is included in steering gear assembly.  
 † PARTS: Part is included with outer tie rod.  
 @ PARTS: Part is included in pinion assembly.  
 † PARTS: Part is included in pinion assembly.  
 # LABOR: Time is for overhaul. PARTS: Part is included in gear assembly.



FRONT SUSPENSION (CONT)

-----STRUTS & SUSPENSION COMPONENTS-----  
W/O AIR SUSPENSION

1	1 Strut	2WD w/o turbo	90-91 R	99.95	m 2.0	20313 AA721
		manual trans	90-91 L	99.95	m 2.0	20313 AA731
		auto trans	90 R	99.95	m 2.0	20313 AA721
			90 L	99.95	m 2.0	20313 AA731
		auto trans w/o LS	91 R	99.95	m 2.0	20313 AA721
			91 L	99.95	m 2.0	20313 AA731
		auto trans w/LS	91 R	99.95	m 2.0	20313 AA801
			91 L	99.95	m 2.0	20313 AA811
		all	92-94 R	99.95	m 2.0	20314 AA001
			92-94 L	99.95	m 2.0	20314 AA011
		2WD w/turbo	91 R	99.95	m 2.0	20313 AA281
			91 L	99.95	m 2.0	20313 AA291
		4WD w/o turbo	90-91 R	99.95	m 2.0	20313 AA121
		manual trans	90-91 L	99.95	m 2.0	20313 AA131
		auto trans	90 R	99.95	m 2.0	20313 AA121
			90 L	99.95	m 2.0	20313 AA131
		auto trans w/o LS	91 R	99.95	m 2.0	20313 AA121
			91 L	99.95	m 2.0	20313 AA131
		auto trans w/LS	91 R	99.95	m 2.0	20313 AA141
			91 L	99.95	m 2.0	20313 AA151
		all	92-94 R	99.95	m 2.0	20314 AA001
			92-94 L	99.95	m 2.0	20314 AA011
		4WD w/turbo	91 R	99.95	m 2.0	20313 AA281
			91 L	99.95	m 2.0	20313 AA291
			92-94 R	99.95	m 2.0	20314 AA201
			92-94 L	99.95	m 2.0	20314 AA211
7	7 mount	w/o turbo	90-94	64.95		20320 AA100
		w/turbo	91	69.95		20320 AA110
			92-94	64.95		20320 AA100
		dest shield	90	6.07		20326 AA111
			91-94	8.45		20326 AA120
2	2 Spring	manual trans	90 R	58.83 #m 2.0		20331 AA020
			90 L	58.83 #m 2.0		20331 AA030
			91-94 R	58.83 #m 2.0		20331 AA120
			91-94 L	58.83 #m 2.0		20331 AA160
		auto trans	90 R	58.83 #m 2.0		20331 AA040
			90 L	58.83 #m 2.0		20331 AA050
			91-94 R	58.83 #m 2.0		20331 AA180
			91-94 L	58.83 #m 2.0		20331 AA170
			91-94 L	58.83 #m 2.0		20325 AA001
			90-94	19.95		20321 AA201
			90-94	32.00		20322 AA000
			90-94	19.83		20323 AA100
			90-94	28.45		20530 AA030
			90-91	12.50		NOT LISTED
			92-94			NOT LISTED

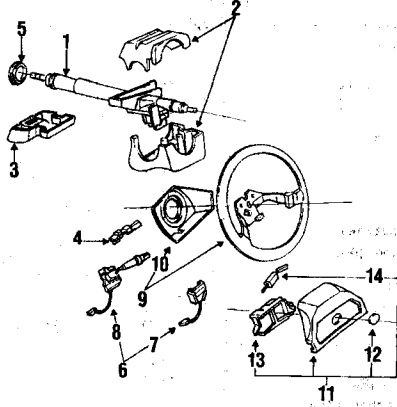
# PARTS: Order by year and model.

**PUMP & HOSES**

**OVERLAP OPERATIONS**  
**R&R p/s pump or pulley**  
**with belt off**

3355	deduct.	90-94	m	0.2		
<b>PARTS AND R&amp;R OPERATIONS</b>						
431	1 P/S pump	90-92	399.95	m	1.3	34411 AA011
2853		93-94	399.95	m	1.3	34411 AA432
436	3 bracket	90-92	79.95			34421 AA000
3203		93-94	62.00			34421 FC000
432	2 Pulley	90-94	12.95	m	0.5	34414 AA010
4334	4 Reservoir Assy	92-94	129.95	m	0.8	34412 AA000
1673	5 Filter	90-94	9.95			73105 3060
134	6 Cap	90-94	39.77			34438 AC000
4357	7 Belt cover	90-94	12.95			34423 AA011
437	8 Hose					
1681	w/o turbo	90-94	229.95	m	0.7	34610 AA171
3204	w/turbo	91-92	249.95	m	0.7	34610 AA300
		93-94	249.95	m	0.7	34610 AA301

# PARTS: Part is included in steering pump assembly.



**STEERING COLUMN & WHEEL**

**WARNING**  
Before repairing any air restraint system, the battery cables and any back-up power supply to the system must be disconnected in order to prevent accidental deployment.

<b>1 Column Assy</b>						
	w/o tilt					
	to 7/90	90	418.21	#m	1.0	34500 AA060
	from 8/90	90	426.19	#m	1.0	34500 AA140
	w/tilt w/o turbo	90-91	800.00	#m	1.0	34500 AA050
2355	w/o air bag to 8/91	92	692.74	#m	1.0	34500 AA051
1386	w/o air bag fr 9/91	92	619.94	#m	1.0	34500 AA052
2587	w/air bag to 8/91	92	730.87	#m	1.3	34500 AA171
2588	w/air bag from 9/91	92-94	654.01	#m	1.3	34500 AA172
2589	w/tilt w/turbo	91	800.00	#m	1.3	34500 AA050
2640	to 8/91	92	715.84	#m	1.3	34500 AA220
2641	from 9/91 to 7/92	92-93	715.84	#m	1.3	34500 AA221
2638	from 8/92	93-94	685.79	#m	1.3	34500 AA270

<b>2 Cover</b>						
	w/o tilt steering					
443	to 10/89	90	61.03	†	0.5	34340A A010B1
1682	from 11/89	90	64.48	†	0.5	34340A A070B1
	w/tilt steering					
444	to 10/89	90	61.03	†	0.5	34340A A030B1
1683	from 11/89	90-92	64.48	†	0.5	34340A A080B1
3216	w/air bag	92-94	37.35	†	0.5	34340A A120EM
<b>3 Protect plate</b>						
	to 8/91	90-91	57.25			34351 AA000
2356	to 8/91	92	43.02			34351 AA020
2842	from 9/91	92-94	45.87			34351 AA040
<b>4 Yoke</b>						
	w/air bag	90-94	89.95	1.5		34160 AA010
<b>5 Bushing</b>						
	w/o tilt	90-94	11.72			31020 GA050

<b>6 Combo switch</b>						
	w/o tilt					
447	sedan	90	186.92	m	1.2	83111 AA071
448	wagon	90	196.97	m	1.2	83111 AA102
	w/tilt w/o L model					
449	sedan w/o air bag	90-93	179.95	m	1.2	83111 AA092
2357	sedan w/air bag	92-94	369.95	m	1.2	83111 AA430
450	wagon	90	179.95	m	1.2	83111 AA122
1685		91	179.95	m	1.2	83111 AA380
2358	wagon w/o air bag	92-93	179.95	m	1.2	83111 AA122
2359	wagon w/air bag	92-94	480.17	m	1.2	83111 AA422
	w/tilt w/L model					
451	sedan w/o air bag	90-93	179.95	m	1.2	83111 AA084
2360	sedan w/air bag	92-94	369.95	m	1.2	83111 AA492
452	wagon w/o air bag	90-93	179.95	m	1.2	83111 AA112
2361	wagon w/air bag	92-94	369.95	m	1.2	83111 AA502
453	Housing	90-93	99.95	†		83113 AA341
454	Dimmer switch	90-93	39.95			83113 AA380
<b>8 Wiper switch</b>						
	w/o tilt					
455	sedan	90	58.62	†		83113 AA460
456	wagon	90	70.32	†		83113 AA490

	w/tilt, sedan	90-93	99.95	†		83113 AC470
	w/o L model & turbo	90-93	94.70	†		83113 AC480
	w/tilt, wagon					
459	w/L model	90-93	99.95	†		83113 AC500
460	w/o L model	90	105.50	†		83113 AA520
461		91	225.45	†		83113 AA530
462		92-93	105.50	†		83113 AA520
463		90-94	29.95	m	1.2	X8311 AA000

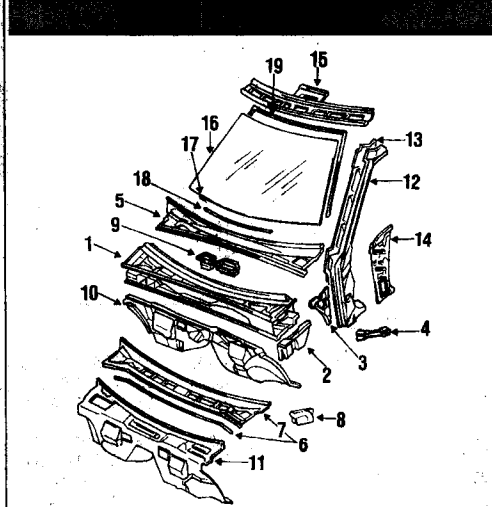
<b>Cyl &amp; keys</b>						
<b>Ignition lock</b>						
	manual trans	90-94	169.95			83121 AA070
	auto trans	90-94	169.95			83121 AA090
<b>Ignition switch</b>						
		90-94	59.95	†m	0.8	83131 GA060

<b>9 Steering wheel</b>						
	w/o air bag					
	w/o LS	90-93	199.95	†m	0.5	34311A A321BK
	w/LS w/o leather	90-93	364.28	†m	0.5	34311A A040B1
	w/LS w/leather	90-93	573.30	†m	0.5	34311A A100B1
	w/air bag					
	w/o leather	90-94	385.07	†m	0.6	34311A A360BK
	w/leather	90-93	685.69	†m	0.6	34311A A110BK
		94	576.56	†m	0.6	34311A A371BK

<b>10 Lower cover</b>						
	w/o air bag					
	w/o LS	90-93	24.53	†	0.3	34317A A040B1
	w/LS	90-93	24.53	†	0.3	34317A A050B1
	w/air bag	90-94	21.38	†	0.3	34317A A110BK

<b>11 Pad Assy</b>						
	w/o LS	90-93	173.25	@		34321A A030B1
	w/LS	90-93	324.57	@		34321A A040B1
<b>12 Emblem</b>						
		90-93	19.83	@		34323 AA000
<b>13 Center plate</b>						
		90-93	31.22			34334 AA000
<b>14 Cruise switch</b>						
		90-93	109.87			83151 AA001
<b>Air bag module</b>						
						SEE FOOTNOTE

# PARTS: Order by year & model.  
† PARTS: Order by year, color & model.  
‡ PARTS: Part is included in ignition lock assembly.  
@ PARTS: W/o air bag.  
\* PARTS: W/o air bag. Order by year, color & model.  
\* PARTS: Part is listed in RESTRAINT SYSTEMS group.



**PARTS AND R&R OPERATIONS**

<b>COWL</b>						
	Cowl panel	(p1.0) 90-94	702.87			51121 AA010
	bracket	90-94 R	57.25			52740 AA030
		90-94 L	57.25			52740 AA040
	seal	90-94 R	19.03			91161 AA000
		90-94 L	19.03			91161 AA010
<b>4 support bracket</b>						
	to 7/92	90-93 R	53.38			57121 AA000
		90-93 L	19.95			57121 AA011
	from 8/92	93-94 R	19.95			57121 AA001
		93-94 L	19.95			57121 AA011
		90-94	681.33			53110 AA040
<b>Top panel</b>						
		90-93 R	32.37			51564 AA000
		90-93 L	32.37			51564 AA010
	w/air bag	92-94 R	28.37			51564 AA050
		92-94 L	28.37			51564 AA060
		90-94	98.55	0.5		91151 AA050
<b>5 Lower seal strip</b>						
	6 seal	90-94	13.33			91162 AA020
	7 seal	90-94	24.70			91163 AA020
	8 seal	90-94 R	22.82			91153 AA030
		90-94 L	26.72			91153 AA010
<b>10 Dash panel</b>						
	to 12/91	90-92	644.43	#		52200 AA020
	from 1/92	92-94	644.43	#		52200 AA001
	reinforcement	90-94	262.13			50815 AA120
		90-94	246.45			90815 AA410
<b>11 Insulator</b>						

<b>Hinge pillar</b>						
	12 outer	(p1.0) 90-94 R	302.55	†s	8.0	51430 AA160
		(p1.0) 90-94 L	302.55	†s	8.0	51430 AA170
	inner					
	13 upper	90-94 R	217.40	s	4.5	51530 AA149
		90-94 L	217.40	s	4.5	51530 AA150
	14 lower	90-94 R	152.65	s	4.5	51530 AA100
		90-94 L	152.65	s	4.5	51530 AA110
<b>15W' shield header</b>						
	w/o sunroof	90-94	183.03		2.0	53400 AA020
	w/sunroof	90-94	179.22		2.0	53400 AA010

**WINDSHIELD GLASS**

<b>16 Windshield</b>						
	Subaru, tinted					
	blue, w/o LS	90-94	387.07	†	2.8	65010A A310N1
	blue, w/LS	90-94	406.83	†	2.8	65010A A040NF
	green	93-94	387.07	†	2.8	65010A A310NF
	Subaru, bronze	90-92	525.00	†	2.8	65010A A111NA
<b>NAGS</b>						
	tinted	90-94	255.30	†	2.8	FW00629GTN
	shaded	90-94	325.70	†	2.8	FW00629GBN
	bronze	90-94	342.70	†	2.8	FW00629ZTN
		90-94	1.68			65022 AA010
<b>17 stopper</b>						
	seal					
	18 lower	90-94	13.82			65021 AA070
	19 side & upper	90-94	24.33			65021 AA020
<b>Reveal molding</b>						
	upper	90-94	42.15	0.5		65023 AA030
	side	90-91 R	126.92	†	0.5	91044 AA060
		90-91 L	126.92	†	0.5	91044 AA070
		92-94 R	124.77	†	0.5	91044 AA300
		92-94 L	124.77	†	0.5	91044 AA310
	clip	90-94	2.28	@		65025 AA000
	retainer	90-94	2.65			91084 AA000
	Protector	90-94 R	42.75			91069 AB260
		90-94 L	42.75			91069 AB270
	Mirror inside	90-92	95.48	*	0.3	92030A A010MB
		93-94	49.95		0.3	92030A A011ML
<b>Sunvisor</b>						
	standard					
		90 R	49.95	*	0.3	92010A A000BJ
		90 L	49.98	*	0.3	92010A A210BJ
		91-94 R	49.98	*	0.3	92010A A400BJ
		91-94 L	49.98	*	0.3	92010A A210BJ
	w/ight	90-94 R	127.70	*	0.3	92010A A101BJ
		90-94 L	127.70	*	0.3	92010A A291BJ

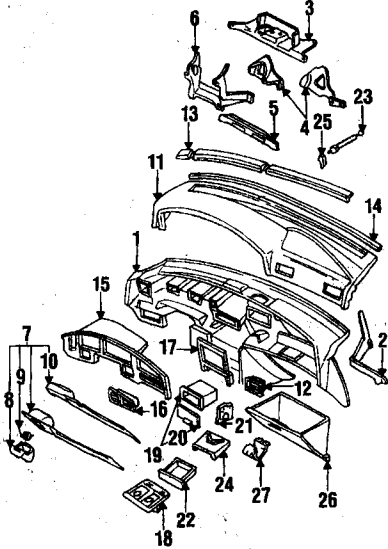
# 1990-94 SUBARU LEGACY

ARL 7520

## COWL & WINDSHIELD (CONT)

11 lower	90-94	2.47		86525 AA010
14 lower seal	90-94	2.77		86623 AA000
12 Washer reservoir bracket	90-94	42.55 @	0.5	86631 AA010
13 Cap	90-94	5.70		SEE FOOTNOTE
15 Pump	90-94	69.95		86615 AA060
16 seal	90-94	2.47		86622 3030
17 Spray jet	90-94 R	19.95	0.2	86636 FA150
18	90-94 L	19.95	0.2	86636 FA160
19 Nozzle	90-94	19.95		86636 GA760
20 packing	90-94	3.18		86623 AA010

\* PARTS: Part is listed in FENDER group.  
 @ PARTS: Does not include cap, motor & seal.



### R&I OPERATIONS

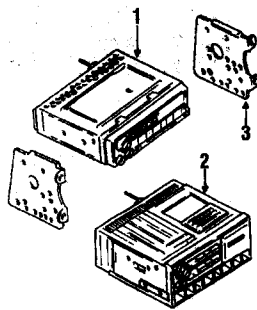
3351 R&I instrument panel 90-94 2.0

### PARTS AND R&R OPERATIONS

<b>INSTRUMENT PANEL</b>				
1 Instrument panel	90-91	397.33 @	4.5	66120A A010LM
	92-94	288.18 @	4.5	66120A A030BK
2 bracket	90-94 R	29.95		66167 AA000
	90-94 L	29.95		66167 AA010
3 Lower guide	90-94	20.77		66174 AA070
<b>Reinforcement</b>				
4 upper	90-94 R	13.73		66172 AA260
	90-94 L	28.73		66172 AA220
	90-94	20.97		66172 AA080
5 lower	90-94	20.97		
6 center	90-92	44.37		66172 AA010
to 12/91	92-94	38.53		66172 AA290
from 1/92				
<b>Lower panel</b>				
7 Left	90-91	129.68 #		66158A A080BI
	92-94	93.30 #		66158A A011BK
	90-91	24.70 †		66140A A010BI
8 Coin holder	90-91	24.70 †		
9 Spring	90	2.63		66141 AA020
to 2/89	90-91	2.63		66141 AA090
from 3/89	90-91	33.55		66172 AA100
10 Panel reinforcement	90-91	567.71 †	3.5	66128A A010LM
	92-94	411.61 †	3.5	66128A A010MJ
11 Crash pad	90-91	49.95 #		66149A A101BI
	92-94	49.95 #		66149A A170BK
12 Air vent	90-91 R	49.95 #	0.3	66149A A000BI
	90-91 L	49.95 #	0.3	66149A A020BI
	92-94 R	19.95 #	0.3	66149A A000BK
	92-94 L	19.95 #	0.3	66149A A020BK
13 Defroster vent	90-94	16.12		66153 AA000
14 Cushion	90-91	201.65 #	0.8	66182 AA010
15 Cluster bezel	92-94	299.48 #	0.8	66182 AA040
<b>Lever</b>				
16 center	90-91	29.95		66149 AA121
	92-94	29.95		66149 AA330
left side	90	49.95		66149 AA140
	91	49.95		66149 AA141
	92-94	39.95		66149 AA210
17 Center bezel	90-94	24.95		66138 AA070
18 Cup holder	90-94	57.25		66193 AA000
<b>Heater control</b>				
551 Calsonic	90-92	569.56 † m	1.5	72030 AA242
DKKC	90	269.68 † m	1.5	72030 AA100
w/AC	91-94	244.07 † m	1.5	72030 AA210

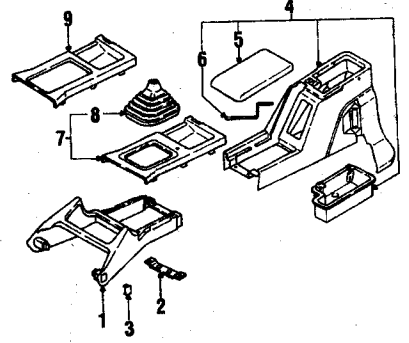
w/AC	90	269.68 † m	1.5	72030 AA040
	91-94	269.95 † m	1.5	72030 AA200
housing	90-94	42.03		66162 AA010
<b>19 Radio pocket</b>				
w/o L model	90-94	45.75		66130 AA050
w/L model	90-94	18.05		66130 AA080
21 bracket	90-94 R	3.95		86204 AA021
	90-94 L	3.95		86204 AA011
<b>20 Door</b>				
w/o L model	90-94	13.42		66188 AA000
w/L model	90-94	11.65		66188 AA010
22 Ashtray Assy	90-94	64.72		66148 AA040
Tray	90-94	33.55		66148 AA030
Protector	90-94	9.65		66135 AA010
23 Lamp Assy	90-94	16.12		66198 AA000
24 Lens	90-94	2.73		66189 AA000
25 cover	90-94	2.73		66151 AA200
26 Glove box	(p.3) 90-91	125.88 #	0.5	66130A A000BI
	(p.3) 92	90.07 #	0.5	66130A A001EM
USA built	(p.3) 93-94	97.08 #	0.5	66130A A100EM
Japan built	(p.3) 93-94	87.32 #	0.5	66130A A021EM
Lock	90-91	22.82 #		66178A A010BI
	92-94	15.72 #		66178A A010BK
Cyl & keys	90-94	12.95		57420 AC100
Cylinder cover	90-91	4.78 #		66151A A080BI
	92-94	2.57 #		66151A A080BK
	90-94	16.35 #		66142 AA000

\* PARTS: Order by color, model and year.  
 † PARTS: Does not include retainer housing.  
 ‡ PARTS: Order by color. Included in lower panel assembly.  
 † PARTS: Order by color, model and year. LABOR: R&R time includes R&I instrument panel.  
 @ PARTS: Order by color, model and year. LABOR: R&R time includes R&I crash pad.



### SOUND SYSTEM

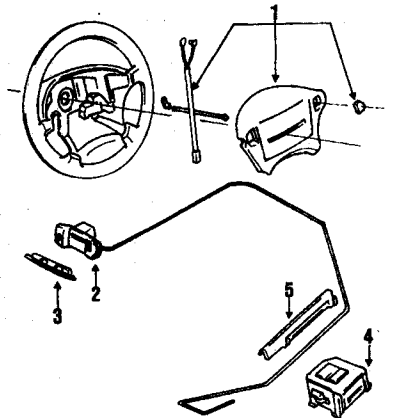
<b>AM/FM radio</b>				
1 w/o cassette	90	606.89	0.5	SOA33 3D165
Clarion	91-94	788.43	0.5	86201 AA200
	90	675.08	0.5	86201 AA140
2 w/cassette	90	1785.03	0.5	86201 AA110
Clarion	92-94	689.09	0.5	86201 AA340
	90-94	813.27	0.5	86201 AA350
3 Mount bracket	90-94 R	3.95		86204 AA021
	90-94 L	3.95		86204 AA011
<b>Knob</b>				
large	90-94	2.33		SOA33 3D464
Clarion	90-94	2.77		SOA44 7D461
small	90-94	2.33		SOA33 3D465
Clarion	90-94	4.47		SOA44 7D462
<b>Speaker</b>				
front	90-94	91.30	0.5	86301 AA180
rear, sedan	90-94	48.50	0.7	SOA33 3D460
Clarion	91-94	96.93	0.7	SOA41 6D163
rear, wagon	90-94 R	63.73	0.7	SOA33 3D461
Clarion	90-94 L	63.73	0.7	SOA33 3D461
	91-94 R	106.33	0.7	SOA41 6D164
	91-94 L	109.60	0.7	SOA41 6D165
SIA	90-94 R	9.95		SOA33 3D463
	90-94 L	16.95		SOA33 3D462
retainer ring	90-94 R	3.98		86331 AA040
	90-94 L	4.98		86331 AA030



### PARTS AND R&R OPERATIONS

<b>Console</b>				
1 front	90-92	86.62 #	0.8	92060A A011LM
w/o air bag	92-93	65.43 #	0.8	92086A A340EM
w/air bag	94	52.70 #	0.8	92086A A371EM
4 rear	90-91	305.00 #	0.5	92060A A110BI
w/o LS model	92-94	118.92 #	0.5	92074A A060BK
w/LS model	92-94	266.98 #	0.5	92060A A120BI
	92-94	118.92 #	0.5	92074A A060MJ
2 bracket	90-94	11.18		92080 AA020
3 Hole plug	90-91	4.78 #		92090A A000LM
	92-94	2.88 #		92090A A000BK
<b>5 Lid</b>				
w/o LS model	90-91	18.33 #		92075A A060BI
	92-94	19.43 #		92075A A190BK
w/LS model	90-91	31.07 #		92075A A070BI
	92-94	30.40 #		92075A A200BK
6 Handle	90-94	31.88		65411 GA060
<b>7 Cover Assy</b>				
manual trans	90-91	61.03 #	0.3	92070A A000BI
	92-94	42.37 #	0.3	92070A A000BK
9 auto trans	90-91	42.03 #	0.3	92070A A010BI
	92-94	30.65 #	0.3	92070A A010BK
8 Seat	90-91	36.97 #		92072A A000BI
	92-94	26.93 #		92072A A000BK

\* PARTS: Order by color and model.



**WARNING**  
 Before repairing any air restraint system, the battery cables and any back-up power supplies to the system must be disconnected in order to prevent accidental deployment. NOTE: The manufacturer states that NO wiring repairs be made.

**REPLACEMENT COMPONENTS**  
 The following components are mandatory replacement items following an air bag deployment according to current vehicle manufacturer recommendations. This information supersedes all prior information published by MOTOR.

**Air bag module**  
**Front sensors**  
**INSPECTION COMPONENTS**  
 The following components must be inspected for damage and replaced if necessary.

**Wiring**  
**Terminals**  
**Insulation**

Please contact our Product Support Group if you require assistance locating, interpreting or using any information contained in this Estimating Guide. Toll Free Number: 1-800-426-8867.

- Connectors
- Mounting brackets
- Clockspring
- Impact sensors
- Steering wheel
- Steering column
- Steering joint

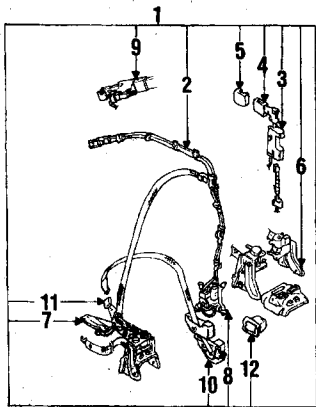
ADD IF REQUIRED  
System diagnosis..... m 0.5

PARTS AND R&R OPERATIONS

AIR BAG COMPONENTS

1 Air bag	92	699.99	# m	1.0	98211A A001MD
	93-94	699.99	# m	1.0	98211A A100ML
2 Sensor	92-94 R	349.98	# m	3.5	98231 AA001
	92-94 L	349.98	# m	2.0	98231 AA011
3 Bracket	92-94 R	11.20			98233 AA000
	92-94 L	11.20			98233 AA010
4 Control module	92-94	699.99	m	0.5	98221 AA001
5 Protector	92-94	4.18			98242 AA010
Harness	92-94	274.52			98241 AA000
Horn switch	92-94	52.52	†		98211A A070BK

# PARTS: Order by color & model. LABOR: Time includes testing module.  
† PARTS: Included with air bag assembly. Order by color.  
‡ PARTS: Order by model and year.

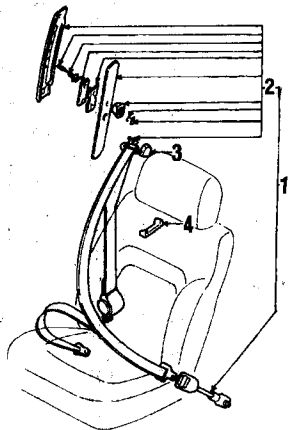


FRONT SEAT BELTS  
PASSIVE RESTRAINT

1 Seat belt Assy	90 R	659.99	#	1.2	64610A A051BI
	90 L	499.99	#	1.2	64610A A030BI
	91 R	499.99	#	1.2	64610A A052BI
	91 L	499.99	#	1.2	64610A A032BI
	92-94 R	349.98	#	1.2	64610A A033EM
	92-94 L	399.98	#	1.2	64610A A033EM
2 Rail	to 4/90	90 R	299.95		64780 AA400
	90 L	299.95			64780 AA411
	from 5/90	90-94 R	299.95		64780 AA401
	90-94 L	299.95			64780 AA411
3 Lock	90-94 R	179.72			64780 AA440
	90-94 L	179.72			64780 AA450
4 Anchor	90-94 R	49.95			64780 AA470
	90-94 L	49.95			64780 AA480
5 Anchor cover	90 R	5.95	†		64780A A510BI
	90 L	5.95	†		64780A A520BI
	91-94 R	13.32			64780A A510VG
	91-94 L	13.32			64780A A520VG
6 Retractor	90 R	129.95	#		64723A A010BI
	90 L	129.95	#		64723A A020BI
	91 R	129.95	#		64723A A011BI
	91 L	129.95	#		64723A A021BI
	92-94 R	129.95	#		64723A A011BK
	92-94 L	129.95	#		64723A A021BK
7 Guide	90-91 R	59.95	#		64780A A200BI
	90-91 L	59.95	#		64780A A210BI
	92-94 R	59.95	#		64780A A201EM
	92-94 L	59.95	#		64780A A221EM
8 Motor	90-94 R	299.95	1.3		64780 AA420
	90-94 L	299.95	1.3		64780 AA430
9 Switch	limit	90-94	19.95		64780 AA490
10 Lap belt	retractor side	90-91 R	229.95	#	0.3 64610A A060BI
	90-91 L	249.95	#	0.3	64610A A070BI
	92-94 R	99.95	#	0.3	64610A A220EM
	92-94 L	99.95	#	0.3	64610A A230EM
	90-91 R	18.62	#	0.3	64780A A300BI
	90-91 L	18.62	#	0.3	64780A A310BI
	92-94 R	14.37	#	0.3	64780A A300EM
	92-94 L	13.26	#	0.3	64780A A310EM
12 Retractor cover	90-94	20.97			64780 AA370

# PARTS: Part number listed is for estimating purposes only. Contact dealer for specific colors & prices.

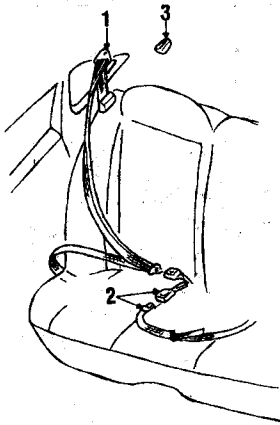
PARTS: Order by color.



FRONT SEAT BELTS  
ACTIVE RESTRAINT

1 Seat belt Assy	90-91 R	#			64620A A000B†
	90-91 L	#			64620A A010B†
	92-94 R	179.95	#		64620A A020BK
	92-94 L	229.95	#		64620A A030BK
2 Adjuster	92-94	49.95	†		64780A A120BK
3 Cover	90-91				64956G A370B†
	92-94	6.90	†		64956G A370BK
4 Guide	90-94 R	5.95			64780 AA000
	90-94 L	5.95			64780 AA010

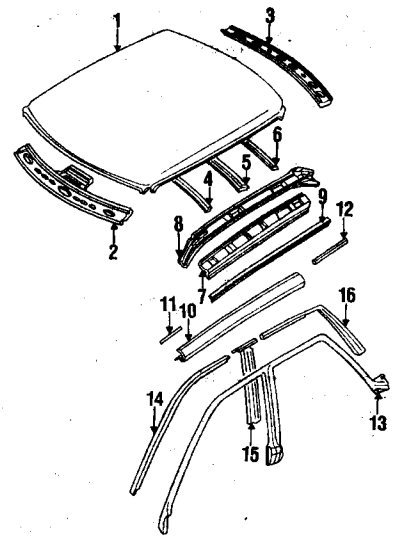
# PARTS: Part number listed is for estimating purposes only. Contact dealer for specific colors & prices.  
† PARTS: Part is included with seat belt assembly.



REAR SEAT BELTS

Rear belt Assy	sedan	90-91 R	129.95	#	0.8	64660A A040BI
	side	90-91 L	129.95	#	0.8	64660A A050BI
		92-93 R	129.95	#	0.8	64660A A042EM
		92-93 L	129.95	#	0.8	64660A A052EM
		94 R	129.95	#	0.8	64660A A180ML
		94 L	129.95	#	0.8	64660A A190ML
2 center		90-91	49.95	#	0.3	64660A A080BI
		92-94	49.95	#	0.3	64660A A080EM
wagon	side	90-91 R	129.95	#	0.8	64650A A131BI
		90-91 L	129.95	#	0.8	64650A A140BI
		92-93 R	129.95	#	0.8	64650A A131EM
		92-93 L	129.95	#	0.8	64650A A142EM
		94 R	129.95	#	0.8	64650A A160EM
		94 L	129.95	#	0.8	64650A A170EM
center		90-91	49.95	#	0.3	64650A A150BI
		92-94	49.95	#	0.3	64650A A150EM
3 Anchor cover	sedan	to 11/89	90	11.72	#	64956G A150B†
		90-91	11.72	#		64785A A010B†
		from 12/89	92-94	7.08	#	64785A A010EM
		92-94	7.08	#		64785A A070BI
wagon		90-91 R	11.72	#		64785A A080EM
		90-91 L	11.53	#		64785A A070EM
		92-94 R	6.40	#		64785A A070EM
		92-94 L	6.90	#		64785A A080EM

# PARTS: Part number listed is for estimating purposes only. Contact dealer for specific colors & prices.



OVERHAUL OPERATIONS

O/H sunroof Assy..... 90-94 3.5

R&I OPERATIONS

R&I hoodliner..... 90-94 2.0

PARTS AND R&R OPERATIONS

ROOF

1 Roof panel	w/o sunroof					
	base, L	(p4.2) 90	427.21	17.0	53600 AA190	
	LS	(p4.2) 90	427.21	17.0	53601 AA130	
	all	(p4.2) 91-94	427.21	17.0	53600 AA190	
	w/sunroof	(p4.5) 90-94	427.21	20.0	53601 AA140	
Header	front					
	w/o sunroof	90-94	183.03	2.5	53400 AA020	
	w/sunroof	90-94	179.22	2.5	53400 AA010	
rear	w/o sunroof	90-94	66.80	2.5	53415 AA010	
	w/sunroof	90-94	66.80	2.5	53410 AA020	
Roof bow	front	90-94	45.75	@	53700 AA040	
	center	90-94	53.38	@	53700 AA200	
	rear	90-94	45.75	@	53700 AA050	
Roof rail	90-94	397.23	@		53615 AA000	
Side rail	outer	90-94 R	49.52	#	3.0 51425 AA000	
	90-94 L	49.52	#	3.0	51425 AA010	
	90-94 R	129.68	#	3.0	51525 AA120	
	90-94 L	129.68	#	3.0	51525 AA130	
inner	90-94 R	106.82	#	2.5	51435 AA000	
	90-94 L	106.82	#	2.5	51435 AA010	
Drip rail	90-91 R	72.53	†	0.5	91012 AA021	
	90-91 L	72.53	†	0.5	91012 AA031	
	92-94 R	69.50	†	0.5	91012 AA171	
	92-94 L	69.50	†	0.5	91012 AA181	
Drip molding	90-91 R	72.53	†	0.5	91012 AA021	
	90-91 L	72.53	†	0.5	91012 AA031	
	92-94 R	69.50	†	0.5	91012 AA171	
	92-94 L	69.50	†	0.5	91012 AA181	
seal	11 front	90-94	6.67		91012 AA400	
	12 rear	90-94	7.08		91012 AA140	
Upper w/strip	90-94 R	119.95	†	0.4	90367 AA400	
	90-94 L	119.95	†	0.4	90367 AA410	
clip	90-94	1.75			90331 GA090	
retainer strip	14 front	90-94 R	49.52		90362 AA000	
	90-94 L	49.52			90362 AA010	
center						
rear	90-94 R	53.38			SEE FOOTNOTE	
	90-94 L	53.38			90362 AA050	
Lower w/strip					SEE FOOTNOTE	
Dome lamp	w/o sunroof	90-91	24.95	†	0.5 84601A A051BJ	
	92-94	24.95	†	0.5	84601A A051EM	
	w/sunroof	90	99.98	†	0.5 84601A A090BJ	
	91	99.98	†	0.5	84601A A091BJ	
	92-94	99.98	†	0.5	84601A A091MK	
Lens	w/o sunroof	90-94	11.88		84910 AA030	
	w/sunroof	90-94	11.88		84910 AA030	

† PARTS: Does not include seal extensions.  
‡ PARTS: Includes push clips. Does not include retainer strips.

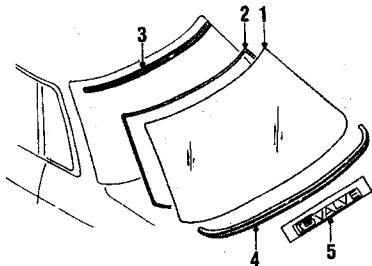
CONTINUED

# 1990-94 SUBARU LEGACY

ARL 7520

## ROOF & BACK GLASS (CONT)

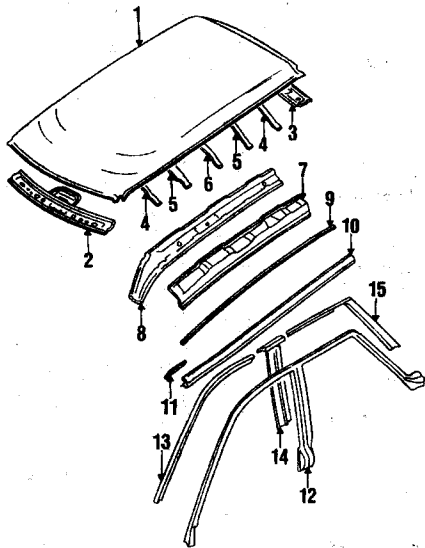
† PARTS: Order by color & description.  
 @ PARTS: W/o sun roof.  
 \* PARTS: Part is listed in CENTER PILLAR group.  
 † PARTS: Part is listed in DOOR group.  
 # LABOR: After roof is removed.



### BACK GLASS

<b>1 Back glass</b>			
Subaru, limited	90-94	394.13	3.0 65010A A030NF
Subaru, bronze			
Japan built	90-91	359.27	3.0 65010A A120NA
USA built to 11/90	90-91	406.35	3.0 65010A A120NC
USA built fr 12/90	91	359.27	3.0 65010A A120NA
<b>NAGS</b>			
limited	90-94	699.55	3.0 FB03993BTN
bronze	90-94	583.00	3.0 FB03993ZTN
<b>2 Glass w/strip stepper</b>			
	90-94	33.75	65021 AA060
	90-94	4.78	65022 AA030
<b>Reveal molding</b>			
upper	90-94	45.75	0.5 65023 AA050
lower	90-92	68.80	0.5 65023 AA060
	93-94	53.93	0.5 65023 AA090
	90-94	2.28 #	65025 AA000
<b>5 Decal</b>			
"16-VALVE"	90-91	22.82	0.3 91531 AA630
"16-VALVE ABS"	90-91	26.72	0.3 91531 AA640

# PARTS: Part is included with upper reveal molding.

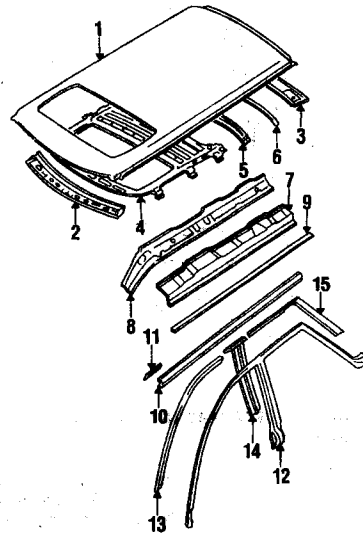


### ROOF WAGON W/O SUNROOF

<b>1 Roof panel</b>			
standard			
w/LS	(p4.2)90	613.36	18.0 53600 AA220
w/LS	(p4.2)90	613.36	18.0 53601 AA150
all	(p4.2)91-94	613.36	18.0 53600 AA220
<b>touring</b>			
L	(p4.2)90	613.36	18.0 53600 AA260
LS	(p4.2)90	613.36	18.0 53601 AA170
<b>Header</b>			
front	90-94	183.03 #	2.5 53400 AA020
rear	90-94	217.40 #	2.5 53410 AA090
<b>Roof bow</b>			
outer, w/o touring			
front	90-94	45.75 #	3.0 53700 AA080
rear	90-94	45.75 #	3.0 53700 AA140
outer, w/touring			
front	90	45.75 #	3.0 53700 AA090
rear	90	45.75 #	3.0 53700 AA150
<b>5 inner, w/o touring</b>			
front	90-94	53.38 #	3.0 53700 AA210
rear	90-94	45.75 #	3.0 53700 AA120

inner, w/touring	90	53.38 #	3.0 53700 AA220
front	90	45.75 #	3.0 53700 AA130
rear	90	45.75 #	3.0 53700 AA110
<b>6 center</b>			
w/o touring	90-94	45.75	53700 AA100
w/touring	90	45.75	53700 AA110
<b>Side rail</b>			
outer	90-94 R	49.52 #	2.5 51425 AA040
	90-94 L	49.52 #	2.5 51425 AA050
<b>8 inner</b>			
w/o touring	90-94 R	129.68 #	2.5 51525 AA100
	90-94 L	129.68 #	2.5 51525 AA110
w/touring	90 R	129.68 #	2.5 51525 AA160
	90 L	129.68 #	2.5 51525 AA170
<b>9 Drip rail</b>			
	90-94 R	106.82	3.0 51435 AA020
	90-94 L	106.82	3.0 51435 AA030
<b>10 Drip molding</b>			
	90 R	118.25	0.5 91012 AA041
	90 L	118.25	0.5 91012 AA051
	91-94 R	100.85	0.5 91012 AA192
	91-94 L	100.85	0.5 91012 AA202
<b>11 seal</b>			
	90-94	6.67	91012 AA400
<b>12 Upper w/strip</b>			
	90-94 R	119.95 #	0.4 90367 AA420
	90-94 L	119.95 #	0.4 90367 AA430
	90-94	1.75	90331 GA090
<b>retainer strip</b>			
front	90-94 R	49.52	90362 AA000
	90-94 L	49.52	90362 AA010
<b>14 center</b>			
			SEE FOOTNOTE
rear	90-94 R	64.72	90362 AA060
	90-94 L	64.72	90362 AA070
<b>15 Lower w/strip</b>			
Decal lamp	90-91	24.95 #	0.5 84601A A051BJ
	92-94	24.95 #	0.5 84601A A051EN
Lens	90-94	11.88	84910 AA030

† PARTS: Part includes push clips. Does not include retainer strips.  
 @ PARTS: Order by color & description.  
 \* PARTS: Part is listed in DOOR group.  
 † PARTS: Part is listed in CENTER PILLAR group.  
 # LABOR: After roof panel is removed.

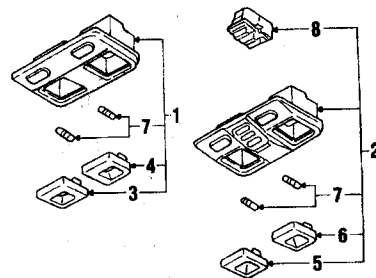


### ROOF WAGON W/SUNROOF

<b>1 Roof panel</b>			
w/o touring	(p4.5)90-94	613.36	20.0 53601 AA180
w/touring	(p4.5)90	613.36	20.0 53601 AA180
<b>Header</b>			
front			
w/o touring	90-94	179.22 #	2.5 53400 AA010
w/touring	90	183.03 #	2.5 53400 AA020
rear	90-94	217.40 #	2.5 53410 AA010
<b>4 Sunroof frame</b>			
w/o touring	90-94	397.23	53615 AA010
w/touring	90	397.23	53615 AA020
<b>Roof bow</b>			
front			
w/o touring	90-94	53.38 #	3.0 53700 AA160
w/touring	90	87.83 #	3.0 53700 AA170
rear	90-94	45.75 #	3.0 53700 AA140
<b>7 Side rail</b>			
outer	90-94 R	49.52 #	3.0 51425 AA040
	90-94 L	49.52 #	3.0 51425 AA050
<b>8 inner</b>			
w/o touring	90-94 R	129.68 #	3.0 51525 AA100
	90-94 L	129.68 #	3.0 51525 AA110
w/touring	90 R	129.68 #	3.0 51525 AA160
	90 L	129.68 #	3.0 51525 AA170

<b>9 Drip rail</b>			
	90-94 R	106.82	3.0 51435 AA020
	90-94 L	106.82	3.0 51435 AA030
<b>10 Drip molding</b>			
	90 R	118.25	0.5 91012 AA041
	90 L	118.25	0.5 91012 AA051
	91-94 R	100.85	0.5 91012 AA192
	91-94 L	100.85	0.5 91012 AA202
<b>11 seal</b>			
	90-94	6.67	91012 AA400
<b>12 Upper w/strip</b>			
	90-94 R	119.95 #	0.4 90367 AA420
	90-94 L	119.95 #	0.4 90367 AA430
	90-94	1.75	90331 GA090
<b>retainer strip</b>			
front	90-94 R	49.52	0.3 90362 AA000
	90-94 L	49.52	0.3 90362 AA010
<b>14 center</b>			
			@ SEE FOOTNOTE
rear	90-94 R	64.72	0.3 90362 AA060
	90-94 L	64.72	0.3 90362 AA070
<b>Lower w/strip</b>			
Decal lamp	90	99.98 #	0.5 84601A A051BJ
	91	99.98 #	0.5 84601A A051EN
	92-94	99.98 #	0.5 84601A A051EN
Lens	90-94	11.88	84910 AA030

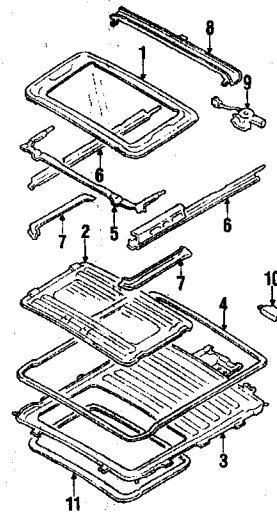
† PARTS: Part includes push clips. Does not include retainer strips.  
 @ PARTS: Part is listed in DOOR group.  
 † PARTS: Order by color & description.  
 \* PARTS: Part is listed in CENTER PILLAR group.  
 # LABOR: After roof panel is removed.



### OVERHEAD CONSOLE

<b>Console Assy</b>			
w/o sunroof	90-91	99.98 #	0.5 84621A A000BJ
	92-94	99.98 #	0.5 84621A A000EN
w/sunroof	90-91	99.98 #	0.5 84621A A010BJ
	92-94	99.98 #	0.5 84621A A010EN
<b>Lens</b>			
w/o sunroof	90-91 R	13.33 #	84910A A000BJ
	90-91 L	13.33 #	84910A A000EN
	92-94 R	9.92 #	84910A A000EN
	92-94 L	10.70 #	84910A A000EN
w/sunroof	90-91 R	13.33 #	84910A A010BJ
	90-91 L	13.33 #	84910A A010BJ
	92-94 R	10.70 #	84910A A100MK
	92-94 L	9.92 #	84910A A010MK
<b>7 Bulb</b>			
	90-94	1.95	78492 0330
<b>8 Sunroof switch</b>			
	90-91	54.18 #	83081A A090BJ
	92-94	61.18 #	83081A A090EK

# PARTS: Order by color.



### SUNROOF

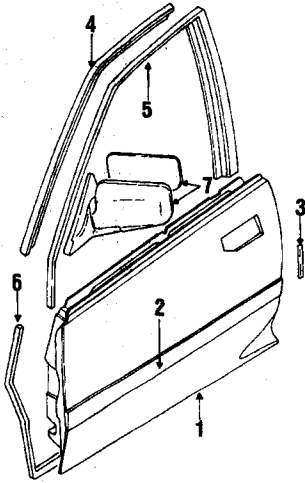
<b>Sunroof Assy</b>			
sedan	90-94	700.34	3.5 65410 AA080
wagon	90-94	1131.49	3.5 65410 AA100

Please contact our Product Support Group if you require assistance locating, interpreting or using any information contained in this Estimating Guide. Toll Free Number: 1-800-426-6867.

<b>1 Glass</b>					
tinted					
sedan	90-91	614.39	1.0	65430 AA000	
wagon	90-91	476.73	1.0	65430 AA030	
all	92-94	614.39	1.0	65430 AA000	
bronze					
sedan	90-91	614.39	1.0	65430 AA000	
wagon	90-91	476.73	1.0	65430 AA030	
all	92	614.39	1.0	65430 AA000	
<b>2 Sunshade</b>					
90		510.91 #	1.5	65470A A00BJ	
91		405.51 #	1.5	65470A A030BJ	
92-94		352.77 #	1.5	65470A A031EN	
<b>3 Frame</b>					
sedan	90-94	428.79	3.5	65464 AA000	
wagon	90-94	428.79	3.5	65464 AA010	
<b>4 Weatherstrip</b>	90-94	104.93	3.5	65441 AA000	
<b>5 Deflector panel</b>					
to 7/89	90	183.03	0.5	65453 AA000	
from 8/89					
sedan	90-94	178.53	0.5	65453 AA021	
wagon	90-94	178.53	0.5	65453 AA031	
skin	90-94	2.45		65416 GA030	
stopper	90-94	6.78		65478 AA000	
<b>6 Guide rail</b>					
90-94 R		264.30		65460 AA000	
90-94 L		311.28		65460 AA010	
<b>7 Cover</b>					
90-94 R		12.02		65447 AA000	
90-94 L		12.02		65447 AA010	
<b>8 Drip rail</b>					
90		118.17		65456 AA000	
91-94		111.88		65456 AA010	
<b>9 Motor</b>					
90-94		304.68	2.3	65450 AA000	
<b>10 Wire harness</b>	90-94	286.02		65480 AA000	
<b>11 Control module</b>	90-94	338.98		85540 AA030	
<b>11 Trim molding</b>					
to 10/89	90	67.48 #	0.4	65457A A000EK	
from 11/89	90-91	67.00 #	0.4	65457A A001EK	
92-94		47.13 #	0.4	65457A A001EN	
90-94		9.57		65411 KA000	

# PARTS: Order by color and model.

Except Door Shell or Door Outer Panel R&R, all operation times in the following group are after door trim panel is removed.



**REFINISHING NOTES**

Add for stone guard if required. See Guide To Estimating.

**Refr door shell**

exterior surface only	90-94	p.2.0
edges	90-94	p.5
inner panel	90-94	p.5

**ADD IF REQUIRED**

**R&R door shell**

add for power units	90-94	0.4
add for mirror		
manual	90-94	0.3
power	90-94	0.4

**R&I OPERATIONS**

**R&I door Assy**

w/o power units	90-94 B	0.6
w/power units	90-94 B	1.1
R&I trim panel	90-94 B	0.4

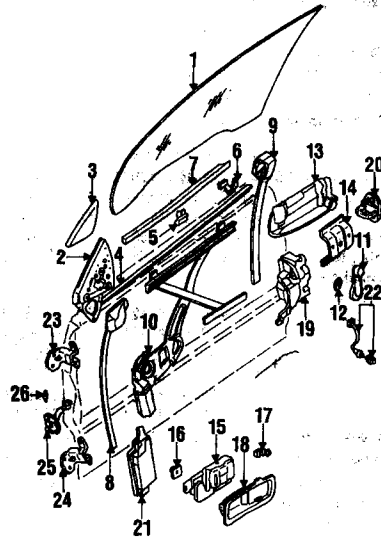
**PARTS AND R&R OPERATIONS**

**DOOR & COMPONENTS**

<b>1 Door shell</b>					
(p.3.0) 90-94 R		416.58 #	4.5	61110 AA060	
(p.3.0) 90-94 L		416.58 #	4.5	61110 AA070	
hole plug	90-94	2.05		60157 GA070	
stopper	90-94	5.58		60102 GA300	
<b>2 Body side midg</b>					
w/o LS model	90-91 R	86.12 #	0.3	91069 AA040	

w/LS model	90-91 L	86.12 #	0.3	91089 AA050	
light grey	90-91 R	53.80 #	0.3	91069 AA280	
	90-91 L	53.80 #	0.3	91069 AA290	
dark grey	90-91 R	86.12 #	0.3	91069 AA060	
	90-91 L	86.12 #	0.3	91069 AA070	
all					
to 7/91	92 R	86.12 #	0.3	91069 AA040	
	92 L	86.12 #	0.3	91069 AA050	
from 8/91	92-94 R	86.12 #	0.3	91069 AA041	
	92-94 L	86.12 #	0.3	91069 AA051	
retainer clip	90-94	5.78		91017 AA040	
Edge guard	90-94	1.97		66115 7040	
<b>3 upper retainer</b>					
				SEE FOOTNOTE	
<b>5 Weatherstrip</b>					
upper door frame					
				SEE FOOTNOTE	
<b>6 lower on door</b>					
90-94 R		146.18 #	0.3	90367 AA240	
90-94 L		146.18 #	0.3	90367 AA250	
clip	90-94	1.75		90331 GA090	
<b>7 Mirror</b>					
manual	90 R	119.98	0.3	91032 AA260	
	90 L	119.98	0.3	91032 AA270	
power					
w/o LS model	90-94 R	219.95 #	0.5	91032A A061NN	
	90-94 L	219.95 #	0.5	91032A A071NN	
LS, US built	90-94 R	219.95 #	0.5	91032A A411VQ	
	90-94 L	219.95 #	0.5	91032A A421VQ	
LS, Japan built	90-94 R	219.95 #	0.5	91032A A060BF	
	90-94 L	219.95 #	0.5	91032A A070BF	

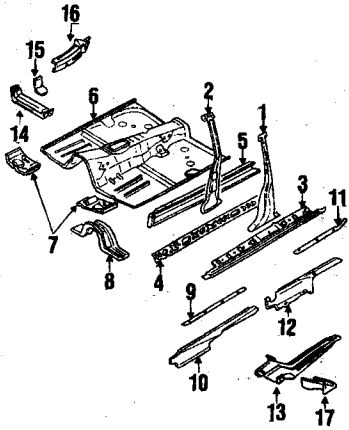
# PARTS: Does not include hole plug & stopper.  
 † PARTS: Order by color. Does not include clip.  
 ‡ PARTS: Part includes push clips.  
 † PARTS: Order by color & description.  
 ‡ PARTS: Part is listed in ROOF group.



**GLASS & HARDWARE**

<b>1 Glass</b>					
Subaru, tinted					
Japan built	90-94 R	199.95	0.6	82200A A001NA	
	90-94 L	169.95	0.6	82200A A011NA	
USA built to 7/91	90-92 R	199.95	0.6	82200A A001NE	
	90-92 L	169.95	0.6	82200A A011NE	
USA built from 8/91	92-94 R	199.95	0.6	82200A A001NE	
	92-94 L	169.95	0.6	82200A A011NE	
Subaru, bronze					
Japan built	90-91 R	169.95	0.6	82200A A020NA	
	90-91 L	169.95	0.6	82200A A030NA	
USA built to 7/91	90-92 R	169.95	0.6	82200A A020NE	
	90-92 L	306.40	0.6	82200A A030NE	
USA built from 8/91	92 R	169.95	0.6	82200A A021NE	
	92 L	169.95	0.6	82200A A031NE	
NAGS					
tinted	90-94 R	123.60	0.6	FD03987BTN	
	90-94 L	123.60	0.6	FD03988BTN	
bronze	90-94 R	254.20	0.6	FD03987ZTN	
	90-94 L	254.20	0.6	FD03988ZTN	
<b>2 Corner panel</b>					
90-94 R		65.33		62174 AA000	
90-94 L		74.08		62174 AA010	
<b>3 Cover</b>					
90-91 R		16.85		94067A A000BI	
90-91 L		16.85		94067A A010BI	
92-94 R		12.55		94067A A000BK	
92-94 L		12.55		94067A A010BK	
<b>4 Bolt w/strip</b>					
outer	90-91 R	105.18 #	0.3	62060 AA000	
	90-91 L	105.18 #	0.3	62060 AA010	
	92-94 R	107.78 #	0.3	62060 AA200	

<b>7 Retainer</b>					
outer	90-94	16.18		62310 AA001	
inner	90-94	16.18		62310 AA010	
<b>8 Guide channel</b>					
front	90-94 R	48.70		62000 AA000	
	90-94 L	48.70		62000 AA010	
rear	90-94 R	51.98		62000 AA020	
	90-94 L	51.98		62000 AA030	
<b>10 Regulator</b>					
manual	90-94 R	133.37 \$	0.4	62100 AA000	
	90-94 L	133.37 \$	0.4	62100 AA010	
power	90-94 R	133.37 \$	0.5	62100 AA080	
	90-94 L	133.37 \$	0.5	62100 AA090	
<b>11 Handle</b>					
90-91 B		22.82 #	0.1	62110A A000BI	
92-94 B		19.20 #	0.1	62110A A000MJ	
90-94		3.87		62116 AA010	
<b>12 Trim ring</b>					
<b>13 Handle, outside</b>					
chrome	90-94 R	64.95 #	0.5	62150A A000WW	
	90-94 L	64.95 #	0.5	62150A A010WW	
white	90-91 R	64.95 #	0.5	62150A A040WF	
	90-91 L	64.95 #	0.5	62150A A0310	
painted	(p.3) 90-94 R	64.95 #	0.5	62150 AA300	
	(p.3) 90-94 L	64.95 #	0.5	62150 AA310	
<b>14 Retainer brkt</b>	90-94	6.65		62158 AA000	
<b>15 Handle, inside</b>					
90-91 R		72.42 #	0.3	62154A A000LM	
90-91 L		72.42 #	0.3	62154A A010LM	
92-94 R		60.10 #	0.3	62154A A000MJ	
92-94 L		60.10 #	0.3	62154A A050MJ	
<b>16 Grommet</b>	90-94	1.74		76011 9000	
<b>Holder</b>					
<b>17 lock rod</b>	90-94	3.00		90920 5041	
<b>18 Bezel</b>					
90-91 R		14.42 #		62180A A000LM	
90-91 L		14.42 #		62180A A010LM	
92-94 R		9.57 #		62180A A000MJ	
92-94 L		9.57 #		62180A A010MJ	
<b>19 Lock</b>					
manual	90-94 R	156.28	0.4	62130 AA020	
	90-94 L	156.28	0.4	62130 AA030	
power	90-94 R	134.47	0.4	62130 AA220	
	90-94 L	157.77	0.4	62130 AA270	
<b>20 Striker</b>					
sedan	90-94 B	25.38	0.3	62135 AA000	
wagon	90-94 B	25.38	0.3	62135 AA100	
Cyl & Keys	90-94 R	19.95	0.8	X5741 AA000	
	90-94 L	19.95	0.8	X5741 AA020	
<b>21 Actuator</b>					
90-94 R		115.75	0.3	62141 AA100	
90-94 L		114.45	0.3	62140 AA100	
<b>22 Courtesy switch</b>	90-94	14.95		83331 AA010	
<b>23 Midge</b>					
upper	(p.3) 90-94 R	44.90 @	0.5	61070 AA000	
	(p.3) 90-94 L	44.90 @	0.5	61070 AA010	
lower	(p.3) 90-94 R	44.90 @	0.5	61070 AA010	
	(p.3) 90-94 L	44.90 @	0.5	61070 AA000	
<b>retainer clip</b>					
to 8/90	90-91	.18 *		03130 6001	
from 7/90	91-94	.04 *		90313 0805	
<b>25 Door check</b>					
USA built	90-91 B	29.95 <	0.3	62090 AA060	



**REFINISHING NOTES**  
Add for stone guard if required. See Guide To Estimating.

**OVERLAP OPERATIONS**  
**R&R rocker panel with center pillar off**

deduct.....	90-94	s	1.0
-------------	-------	---	-----

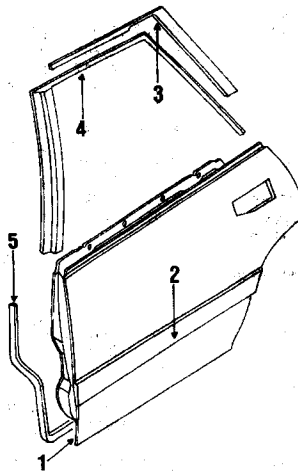
**PARTS AND R&R OPERATIONS**

**CENTER PILLAR & ROCKER**

<b>Center pillar</b>			
1	outer.....	(p1.0) 90-94 R 280.92 s 5.0	51420 AA100
		(p1.0) 90-94 L 280.92 s 5.0	51420 AA110
2	inner.....	90-94 R 228.88 # s 3.0	51520 AA140
		90-94 L 228.88 # s 3.0	51520 AA150
	cover.....	90-94	3.57 90921 0212
<b>Rocker panel</b>			
3	outer.....	(p1.5) 90-94 R 221.33 s 6.0	51415 AA040
		(p1.5) 90-94 L 221.33 s 6.0	51415 AA050
4	inner.....	90-94 R 183.03 # s 4.0	51572 AA040
		90-94 L 183.03 # s 4.0	51572 AA050
5	<b>Rocker retain</b>	90-94 R 171.63	52154 AA120
		90-94 L 171.63	52154 AA130
	<b>Weatherstrip retainer</b>	90-94 R 57.25	90362 AA020
		90-94 L 57.25	90362 AA030
6	<b>Front floor pan</b>	90-94	735.04 52120 AA061
7	<b>bracket</b>	90-94 R 39.95	52146 AA100
		90-94 L 39.95	52146 AA110
8	<b>Floor retain</b>	90-94	259.33 52153 AA290
<b>Sill plate</b>			
9	upper.....	90-91 B 25.18 #	0.3 94096A A0020
		92-94 B 18.88 #	0.3 94096A A0030
10	lower w/o air bag.....	90-92 R 30.63 #	0.3 94096 AA260
		90-92 L 22.98 #	0.3 94096 AA340
	lower w/air bag.....	92-94 R 30.63 #	0.3 94096 AA300
		92-94 L 22.98 #	0.3 94096 AA340
11	rear upper.....	90-91 R 19.03 #	0.3 94096A A040B
		90-91 L 19.03 #	0.3 94096A A050B
		92-94 R 14.37 #	0.3 94096A A040B
		92-94 L 14.37 #	0.3 94096A A050B
12	lower.....	90-94 R 30.63	0.3 94096 AA280
		90-94 L 30.63	0.3 94096 AA290
13	<b>Center rail</b>	90 L 169.95	51231 AA100
		91-94 R 169.95	51231 AA110
		91-94 L 169.95	51231 AA120
14	<b>Center c'member</b>	90-94 R 95.48	52140 AA160
		90-94 L 95.48	52140 AA180
15	seat.....	90-94 R 32.37	52153 AA410
		90-94 L 32.37	52153 AA420
16	sill.....	90-94 R 95.48	52154 AA020
		90-94 L 95.48	52154 AA030
17	toe.....	90-94 R 39.95	51233 AA460
		90-94 L 39.95	51233 AA470

1 PARTS: Order by color.  
# PARTS: Order by description.  
† PARTS: Part is listed in ROOF group.  
‡ LABOR: After outer panel is removed.

Except Door Shell or Door Outer Panel R&R, all operation times in the following group are after door trim panel is removed.



**REFINISHING NOTES**  
Add for stone guard if required. See Guide To Estimating.

**Roof door shell**

exterior surface only.....	90-94	p2.0
edges.....	90-94	p.5
inner panel.....	90-94	p.5

**ADD IF REQUIRED**

**R&R door shell**

add for power units.....	90-94	0.4
--------------------------	-------	-----

**R&I OPERATIONS**

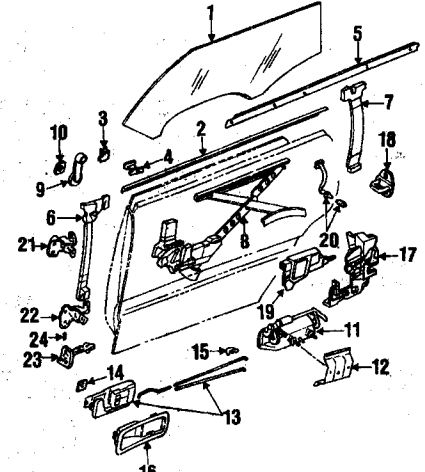
w/o power units.....	90-94 B	0.6
w/power units.....	90-94 B	1.1
R&I trim panel.....	90-94 B	0.4

**PARTS AND R&R OPERATIONS**

**DOOR & COMPONENTS**

1	<b>Door shell</b>	(p3.0) 90-94 R 416.58 #	4.5	61120 AA080
		(p3.0) 90-94 L 416.58 #	4.5	61120 AA090
	<b>Stopper</b>	90-94	5.58	60102 GA300
	<b>Hole plug</b>	90-94	2.05	60157 GA070
2	<b>Molding</b>			
	body side			
	w/o LS model.....	90-91 R 86.12 #	0.3	91069 AA080
		90-91 L 86.12 #	0.3	91069 AA090
	w/LS model.....	90-91 R 86.12 #	0.3	91069 AA100
		90-91 L 86.12 #	0.3	91069 AA110
	all.....	92-94 R 86.12 #	0.3	91069 AA080
		92-94 L 86.12 #	0.3	91069 AA090
	retainer clip.....	90-94	5.78	91017 AA040
3	<b>upper retainer</b>			SEE FOOTNOTE
4	<b>Weatherstrip</b>			
	upper door frame.....			SEE FOOTNOTE
5	lower on door.....	90-94 R 146.18 #	0.3	90367 AA260
		90-94 L 146.18 #	0.3	90367 AA270
	clip.....	90-94	1.75	90331 GA090

# PARTS: Does not include hole plug & stopper.  
† PARTS: Order by color. Does not include clip.  
‡ PARTS: Includes push clips.  
‡ PARTS: Part is listed in ROOF group.



**GLASS & HARDWARE**

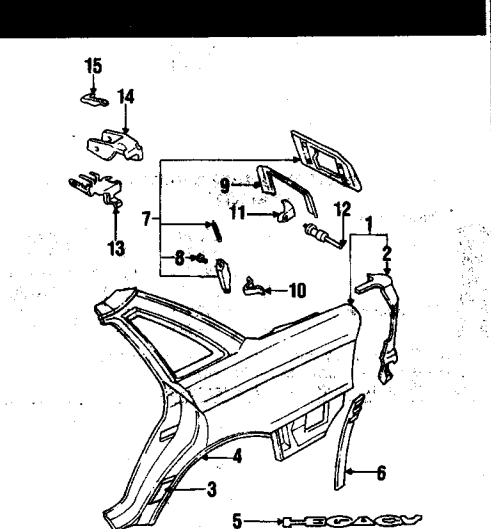
<b>1 Glass</b>			
Subaru, sedan, tinted			
	Japan built.....	90-94 R 169.95	0.6 62200A A041NA
		90-94 L 169.95	0.6 62200A A051NA
	USA built to 7/91.....	90-92 R 169.95	0.6 62200A A041NE
		90-92 L 169.95	0.6 62200A A051NE
	USA built from 8/91.....	92-94 R 169.95	0.6 62200A A041NE
		92-94 L 169.95	0.6 62200A A051NE
Subaru, sedan, bronze			
	Japan built.....	90-91 R 169.95	0.6 62200A A060NA
		90-91 L 169.95	0.6 62200A A070NA
	USA built.....	90-92 R 169.95	0.6 62200A A061NA
		90-92 L 169.95	0.6 62200A A070NE
Subaru, wagon, tinted			
	Japan built.....	90-94 R 169.95	0.6 62200A A081NA
		90-94 L 169.95	0.6 62200A A091NA
	USA built to 7/91.....	90-92 R 169.95	0.6 62200A A081NE
		90-92 L 169.95	0.6 62200A A091NE
	USA built from 8/91.....	92-94 R 169.95	0.6 62200A A081NE
		92-94 L 169.95	0.6 62200A A091NE
Subaru, wagon, bronze			
	Japan built.....	90-91 R 169.95	0.6 62200A A140NA
		90-91 L 169.95	0.6 62200A A150NA
	USA built.....	90-92 R 169.95	0.6 62200A A141NE
		90-92 L 169.95	0.6 62200A A151NE
NAGS, sedan			
	tinted.....	90-94 R 91.30	0.6 FD03989BBTN
		90-94 L 91.30	0.6 FD03990BBTN
	bronze.....	90-94 R 200.70	0.6 FD03989ZTIN
		90-94 L 200.70	0.6 FD03990ZTIN
NAGS, wagon			
	tinted.....	90-94 R 109.60	0.6 FD04009BBTN
		90-94 L 109.60	0.6 FD04010BTN
	bronze.....	90-94 R 321.90	0.6 FD04009ZTIN
		90-94 L 321.90	0.6 FD04010ZTIN
<b>2 Belt w'strip</b>			
2	outer		
	sedan.....	90-91 R 111.65 #	0.3 62060 AA080
		90-91 L 111.65 #	0.3 62060 AA090
		92 R 116.82 #	0.3 62060 AA280
		92 L 107.98 #	0.3 62060 AA290
		93-94 R 114.73 #	0.3 62060 AA480
		93-94 L 114.73 #	0.3 62060 AA490
	wagon.....	90-91 R 105.18 #	0.3 62060 AA040
		90-91 L 105.18 #	0.3 62060 AA050
		92-94 R 99.68 #	0.3 62060 AA240
		92-94 L 99.68 #	0.3 62060 AA250
5	inner.....	90-91	28.35 62068 AA024
		92-94	43.48 62066 AA051
<b>retainer</b>			
3	outer.....	90-94	16.18 62310 AA001
	inner.....	90-94	16.18 62310 AA010
<b>4 Guide channel</b>			
6	front.....	90-94 R 57.25	62000 AA040
		90-94 L 57.25	62000 AA050
7	rear.....	90-94 R 53.38	62000 AA060
		90-94 L 53.38	62000 AA070
<b>8 Regulator</b>			
	manual.....	90-94 R 133.37 \$	0.4 62100 AA021
		90-94 L 133.37 \$	0.4 62100 AA031
	power.....	90-94 R 133.37 @	0.5 62100 AA031
		90-94 L 133.37 @	0.5 62100 AA121
9	<b>Handle</b>	90-91 B 22.82 #	0.3 62110A A000BI
		92-94 B 19.20 #	0.3 62110A A090EM
10	<b>Trim ring</b>	90-94	3.87 62116 AA010
<b>11 Handle, outside</b>			
	chrome.....	90-94 R 64.95 †	0.4 62150A A100WW
		90-94 L 64.95 †	0.4 62150A A110WW
	white.....	90-91 R 64.95 †	0.4 62150A A120WF
		90-91 L 64.95 †	0.4 62150A A130WF

12 retainer brkt	90-94 R 64.95 †	0.4	62150 AA400
	90-94 L 64.95 †	0.4	62150 AA410
13 handle, inside	90-94 6.65		62158 AA010
	90-91 R 76.18 †	0.3	62154A A020BI
	90-91 L 76.18 †	0.3	62154A A030BI
	92-94 R 63.37 †	0.3	62154A A020BK
	92-94 L 63.37 †	0.3	62154A A030BK
14 grommet	90-94 1.74		76011 9000
15 rod holder	90-94 3.00		90920 5041
16 bezel	90-91 R 14.42 †		62180A A020BI
	90-91 L 14.42 †		62180A A030BI
	92-94 R 9.57 †		62180A A020BK
	92-94 L 9.57 †		62180A A030BK
17 Lock			
manual	90-94 R 126.47 @	0.4	62131 AA101
	90-94 L 126.47 @	0.4	62131 AA131
power	90-94 R 152.63 @	0.4	62131 AA301
	90-94 L 152.63 @	0.4	62131 AA311
18 Striker			
sedan	90-94 B 25.38	0.3	62135 AA090
wagon	90-94 B 25.38	0.3	62135 AA100
19 Actuator	90-94 B 99.15 @	0.3	62141 AA120
pin	90-94 5.62		62142 AA100
bracket	90-94 R 13.43		62131 AA500
	90-94 L 13.43		62131 AA510
20 Courtesy switch			
to 11/90	90-91 14.95		83331 KA000
from 12/90	91-94 14.95		83331 KC000
21 Hinge			
upper	(p.3) 90-94 R 44.90 <	0.3	61070 AA200
	(p.3) 90-94 L 44.90 <	0.3	61070 AA210
lower	(p.3) 90-94 R 44.90 <	0.3	61070 AA180
	(p.3) 90-94 L 44.90 <	0.3	61070 AA190
clip	90-91 .18		03130 6001
	92-94 .04		90313 0005
23 Door check	90-94 B 55.43 *	0.3	62090 AA011
24 pin	90-94 4.22		60152 GA090

# PARTS: Does not include retainers. LABOR: After door is removed.  
 † PARTS: Order by color.  
 \* PARTS: Does not include retainer bracket.  
 @ PARTS: Does not include bezel & retainers. Order by color.  
 < PARTS: After trim panel is removed.  
 < PARTS: Does not include pin.  
 < PARTS: Does not include retaining clip. LABOR: After door is removed.  
 § PARTS: Does not include handle & trim ring.

driver seat	92-94 L 8.68 #	0.2	64280A A090EM
w/o height adjust	90-91 R 14.42 #	0.2	64280A A080ML
	90-91 L 8.75 #	0.2	64280A A020BI
	92-94 R 8.25 #	0.2	64280A A080EM
	92-94 L 5.15 #	0.2	64280A A020EM
w/height adjust	90-91 R 14.42 #	0.2	64280A A100BI
	90-91 L 8.75 #	0.2	64280A A080BI
	92-94 R 8.03 #	0.2	64280A A100EM
	92-94 L 4.90 #	0.2	64280A A080EM
4 Recline adjuster	90-94 R 163.67		64226 AA020
	90-94 L 179.88		64226 AA030
6 Lever	90-91 R 6.18 #		64282A A080BI
	90-91 L 6.18 #		64282A A080EM
	92-94 R 3.77 #		64282A A090EM
	92-94 L 3.77 #		64282A A100BI
5 cover	90-91 R 4.73 #		64282A A100BI
	90-91 L 4.73 #		64282A A100BK
	92-94 R 2.88 #		64282A A110BK
	92-94 L 2.88 #		64282A A110BK
Lever			
height adjuster	90-91 97.73 #		64282A A170EL
	92-94 74.63 #		64282A A170EM
8 cover	90-91 9.88 #		64282A A150BI
	92-94 5.97 #		64282A A150EM
9 Belt holder	90-91 R 9.95 #		64282A A120BI
	90-91 L 9.95 #		64282A A130BI
	92-94 R 9.95 #		64282A A120EM
	92-94 L 9.95 #		64282A A130EM
10 cap	90-91 7.67 #		64282A A140BI
	92-94 5.20 #		64282A A540EM

# PARTS: Part number listed is for estimating purposes only. Contact dealer for specific colors & prices.



REFINISHING NOTES  
 Add for stone guard if required. See Guide To Estimating.

Refin quarter panel			
exterior surface only	90-94	p.24	
edges & pockets	90-94	p.3	
lock pillar	90-94	p.5	

R&R quarter panel with roof off	90-94 B	4.0
with rocker off	90-94 B	1.0

R&I trim panel	90-94 B	0.6
----------------	---------	-----

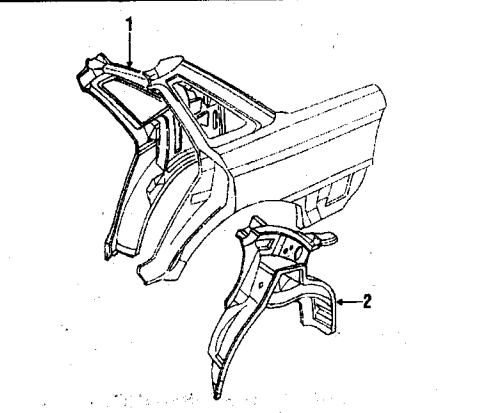
Scin qtr panel cut in window opening	90-94 R	p.3.2 †	11.5
	90-94 L	p.3.2 †	11.0

PARTS AND R&R OPERATIONS  
 QUARTER PANEL & COMPONENTS  
 SEDAN

Panel Assy			
outer			
w/o LS	(p.3.2) 90-91 R	399.95	14.5 51410 AA400
	(p.3.2) 90-91 L	399.95	14.0 51410 AA410
	(p.3.2) 92-94 R	399.95	14.5 51410 AA401
	(p.3.2) 92-94 L	399.95	14.0 51410 AA411
w/LS	(p.3.2) 90-91 R	399.95	14.5 51410 AA400
	(p.3.2) 90-91 L	416.65	14.0 51410 AA420
	(p.3.2) 92-94 R	399.95	14.5 51410 AA401

2 Extension	(p.3.2) 92-94 L	416.65	14.0 51410 AA421
	90-91 R	74.95	2.0 51481 AA190
	90-91 L	74.95	2.0 51481 AA200
	92-94 R	19.95	2.0 51481 AA220
	92-94 L	74.95	2.0 51481 AA230
Molding			
lower	90-94 R	26.88	0.3 91069 AA441
	90-94 L	26.88	0.3 91069 AA451
4 wheel opening	(4.3) 90-94 R	53.80	0.3 91069 AA421
	(4.3) 90-94 L	53.80	0.3 91069 AA421
Nameplate			
"LEGACY"	90-91	54.95	0.3 93060 AA350
Cover			
pillar protector	90-91 R	9.95	64780 AA600
	90-91 L	18.62	64780 AA610
7 Fuel door	(p.3) 90-94	31.53 #	0.3 57601 AA000
9 seal strip	90-94	25.45	57651 AA090
8 Stopper	90-94	4.78	57651 AA070
10 Spring	90-94	3.75	57651 AA010
11 Striker	90-94	15.50	57651 AA020
12 Release cable	90-94	40.30	57330 AA040
13 Cable handle	90-94	16.98 †	57345 AA010
14 Bezel	90-94	18.00 †	57345 AA010BI
15 Knob	90-94	9.65 †	57346A A010BI

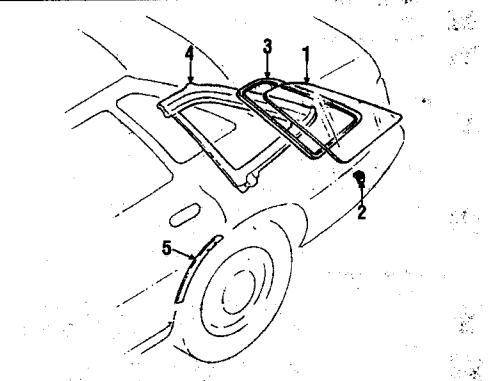
# PARTS: Does not include spring, striker, stopper, cable, handle & bezel.  
 † PARTS: Does not include bezel & knob. Order by color.  
 † PARTS: Order by color. LABOR:  
 † Time includes R&I quarter glass & cut below back glass.



INNER STRUCTURE & RAILS  
 SEDAN

1 Inner panel	90-94 R	695.79 #	6.0 51510 AA241
	90-94 L	695.79 #	6.0 51510 AA251
2 Wheelhouse	90 R	299.98 †	4.5 51800 AA680
	90 L	299.98 †	4.5 51800 AA070
	91-94 R	299.98 †	4.5 51800 AA061
	91-94 L	299.98 †	4.5 51800 AA071

# PARTS: Part is included with inner wheelhouse.  
 † LABOR: After outer panel is removed.



GLASS  
 SEDAN

1 Glass			
Subaru, tinted			
Japan built	90-94 R	129.95	2.0 65220A A000NA
	90-94 L	129.95	2.0 65220A A010NA
USA built	90-94 R	163.63	2.0 65220A A000NC
	90-94 L	163.63	2.0 65220A A010NC
Subaru, bronze			
Japan built	90-91 R	129.95	2.0 65220A A060NA
	90-91 L	129.95	2.0 65220A A070NA
USA built	90-92 R	129.95	2.0 65220A A060NC
	90-92 L	148.05	2.0 65220A A070NC

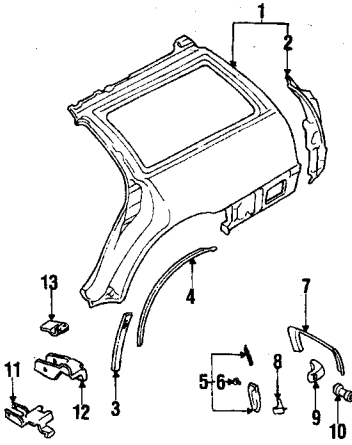
CONTINUED



## QUARTER PANEL (CONT)

<b>NAGS</b>					
90-94 R	106.10	2.0	FQ03991BTN		
90-94 L	106.10	2.0	FQ03992BTN		
<b>bronze</b>					
90-94 R	164.40	2.0	FQ03991ZTN		
90-94 L	164.40	2.0	FQ03992ZTN		
<b>2 Stopper</b>					
90-94	4.78		65282 AA000		
90-94	4.78		65282 AA010		
<b>3 Weatherstrip</b>					
90-94 R	13.15		65284 AA000		
90-94 L	13.33		65284 AA020		
<b>4 Molding</b>					
90-91 R	149.95#	0.7	91044 AA080		
90-91 L	149.95#	0.7	91044 AA090		
92 R	149.95#	0.7	91044 AA260		
92 L	149.95#	0.7	91044 AA270		
93-94 R	149.95#	0.7	91044 AA280		
93-94 L	149.95#	0.7	91044 AA460		
<b>seal</b>					
90-94	7.08		91012 AA140		
<b>5 finisher</b>					
90 R	93.60#	0.3	91069 AA700		
90 L	82.08#	0.3	91069 AA710		
90-94 R	43.03#	0.5	91069 AA702		
90-94 L	43.03#	0.5	91069 AA712		

# PARTS: Does not include seal extension.  
 † PARTS: Order by color.



## QUARTER PANEL & COMPONENTS WAGON

### REFINISHING NOTES

Add for stone guard if required. See Guide To Estimating.

#### Refn quarter panel

exterior surface only	90-94	p.2.4
edges & pockets	90-94	p.3
lock pillar	90-94	p.5

### OVERLAP OPERATIONS

<b>R&amp;R quarter panel with roof off</b>		
deduct	90-94 B	4.0
<b>with rocker off</b>		
deduct	90-94 B	1.0

### R&I OPERATIONS

R&I trim panel wagon	90-94 B	0.8
----------------------	---------	-----

### SECTIONING OPERATIONS

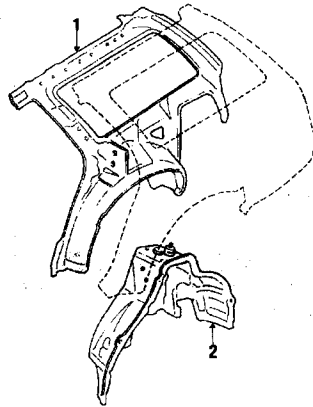
<b>Scrn qtr panel cut in window opening</b>		
wagon	90-94 R	p3.2 @ 13.5
	90-94 L	p3.2 @ 13.0

### PARTS AND R&R OPERATIONS

<b>1 Outer panel</b>					
wagon w/o ant hole	(p3.2) 90-94 R	399.95#	16.5	51410 AA520	
	(p3.2) 90-94 L	399.95#	16.0	51410 AA570	
wagon w/ant hole	(p3.2) 90-94 R	416.65#	16.5	51410 AA560	
	(p3.2) 90-94 L	399.95#	16.0	51410 AA570	
touring w/o ant hole	(p3.2) 90	R 416.65#	16.5	51410 AA590	
	(p3.2) 90	L 416.65#	16.0	51410 AA610	
touring w/ant hole	(p3.2) 90	R 416.65#	16.5	51410 AA601	
	(p3.2) 90	L 416.65#	16.0	51410 AA610	
<b>2 Extension</b>					
	(p1.0) 90-94 R	74.95*	2.5	51410 AA220	
	(p1.0) 90-94 L	74.95*	2.5	51410 AA230	
<b>Cover</b>					
pillar protector	90-91 R	9.95		64780 AA600	
	90-91 L	18.62		64780 AA610	
<b>3 Molding</b>					
front	90-94 R	43.03#	0.3	91069 AA702	
	90-94 L	43.03#	0.3	91069 AA712	

4 wheel opening	(d3) 90-94 R	53.80	0.3	91069 AA421	
	(d3) 90-94 L	53.80	0.3	91069 AA421	
5 Fuel door seal strip	(p5) 90-94	31.53#	0.5	57601 AA010	
6 Stopper	90-94	25.45		57651 AA040	
7 Stopper	90-94	4.78		57651 AA070	
8 Spring	90-94	3.75		57651 AA010	
9 Striker	90-94	15.50		57651 AA020	
10 Release cable	90-94	40.30	1.8	57330 AA040	
11 Cable handle	90-94	16.98#		57340 AA030	
12 Bezel	90-91	18.00#		57345A A010B	
	92-94	17.73#		57345A A070BK	
13 Knob	90-91	8.95#		57346A A020B	
	92-94	8.95#		57346A A020EM	

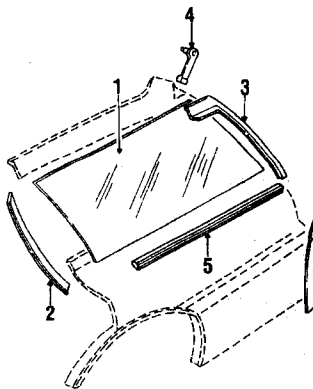
# PARTS: Part is included with rear extension.  
 † PARTS: Does not include spring, striker, stopper, cable, handle & bezel.  
 # PARTS: Does not include bezel & knob. Order by color.  
 † PARTS: Order by color.  
 @ LABOR: Time includes R&I quarter glass.  
 \* PARTS: Part is included with quarter panel.



## INNER STRUCTURE & RAILS WAGON

<b>1 Inner panel</b>					
w/o touring	90-94 R	695.79#	9.0	51510 AA200	
	90-94 L	695.79#	9.0	51510 AA210	
w/touring	90 R	695.79#	9.0	51510 AA220	
	90 L	695.79#	9.0	51510 AA230	
<b>2 Wheelhouse</b>					
	90-94 R	299.98#	4.5	51600 AA080	
	90-94 L	299.98#	4.5	51600 AA090	

† PARTS: Part is included with inner wheelhouse.  
 LABOR: After outer panel is removed.  
 # LABOR: After outer panel is removed.



## GLASS WAGON

<b>1 Glass</b>					
Subaru, tinted					
Japan built	90-91 R	199.95	2.0	65250A A000NA	
	90-91 L	199.95	2.0	65250A A010NA	
	92-94 R	149.95	2.0	65250A A001NA	
	92-94 L	149.95	2.0	65250A A011NA	
USA built					
	90-91 R	44.90	2.0	65250A A000NE	
	90-91 L	268.60	2.0	65250A A010NE	
	92-94 R	149.95	2.0	65250A A001NE	
	92-94 L	149.95	2.0	65250A A011NE	
Subaru, bronze					
Japan built	90-91 R	199.95	2.0	65250A A040NA	
	90-91 L	199.95	2.0	65250A A050NA	
USA built	90-92 R	199.95	2.0	65250A A040NE	
	90-92 L	199.95	2.0	65250A A050NE	
NAGS tinted					
	90-94 R	212.20	2.0	FQ04011BTN	
	90-94 L	212.20	2.0	FQ04012BTN	

bronze	90-94 R	317.80	2.0	FQ04011ZTN	
	90-94 L	317.80	2.0	FQ04012ZTN	
90-94		1.04		65282 AA070	
<b>spacer</b>					
<b>Stopper</b>					
front corner	90-94	4.78#		65282 AA040	
lower	90-94	3.57		65282 AA020	
retainer	90-94	3.25		65282 AA030	

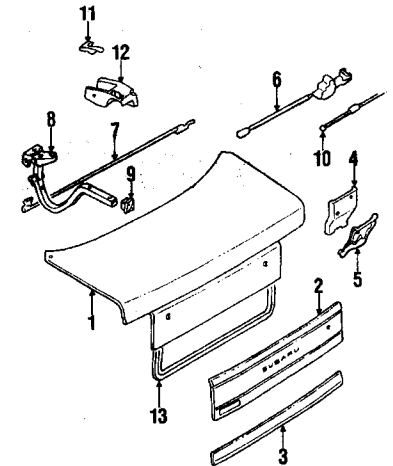
<b>Molding</b>					
2 front	90-94 R	12.50	0.3	65291 AA040	
	90-94 L	12.50	0.3	65291 AA050	
3 rear	90 R	62.30	0.5	91044 AA110	
	90 L	62.30	0.5	91044 AA120	
	91-94 R	56.43	0.5	91044 AA341	
	91-94 L	56.43	0.5	91044 AA351	

<b>clip</b>					
male end	90-94	2.52#		91167 AA110	
female end	90-94	1.12		91167 AA000	
<b>4 Cap Assy</b>					
<b>5 Bolt molding</b>					
	90-94	3.93		91167 AA081	
	90-91 R	74.88#	0.5	91012 AA060	
	90-91 L	74.88#	0.5	91012 AA070	
	92-94 R	65.83#	0.5	91012 AA350	
	92-94 L	65.83#	0.5	91012 AA360	

<b>retainer clip</b>					
male end	90-91	2.52		91167 AA090	
front to 6/90	90-94	2.52		91167 AA050	
rear	90-94	2.52		91167 AA050	
female end	90-94	2.52		91167 AA040	

<b>6 Protector</b>					
to 5/89	90 R	93.60#	0.5	91069 AA700	
	90 L	82.08#	0.5	91069 AA710	
from 6/89	90-94 R	43.03#	0.5	91069 AA702	
	90-94 L	43.03#	0.5	91069 AA712	

# PARTS: Does not include retainer.  
 † PARTS: Includes male end retainer clips only. Order by description.  
 # PARTS: Order by color.



### REFINISHING NOTES

Refn trunk lid underside	90-94	p1.0
--------------------------	-------	------

### R&I OPERATIONS

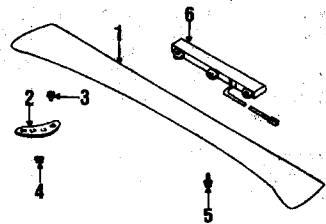
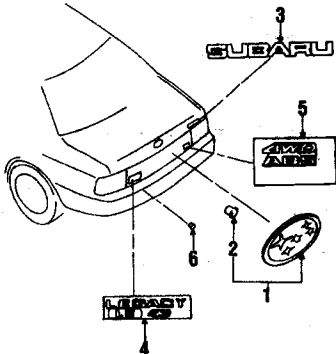
R&I trunk lid	90-94	0.5
---------------	-------	-----

### PARTS AND R&R OPERATIONS

<b>1 Lid</b>					
standard	(p2.0) 90-91	294.95#	1.4	57501 AA010	
	(p2.0) 92-94	294.95#	1.4	57501 AA080	
L & LS	(p2.0) 90-91	294.95#	1.4	57501 AA020	
	(p2.0) 92-94	294.95#	1.4	57501 AA080	
Turbo	(p2.0) 91	294.95#	1.4	57501 AA070	
	(p2.0) 92-94	239.95#	1.4	57501 AA100	
<b>Stopper</b>					
inner	90-94	1.78		57533 AA000	
outer	90-94	1.78		57533 AA010	
<b>2 Finish panel</b>					
retainer clip	90-91	309.22#	1.0	91057 AA000	
female end	90-91	1.12		91167 AA090	
male end	90-91	2.52		91167 AA070	
<b>3 Molding</b>					
retainer clip	90-91	289.83#	0.5	91012 AA100	NOT USED
outer	90-91	2.98		91019 AA020	
center	90-91	1.12		91167 AA000	
<b>4 Lock</b>					
retainer clip	90-91	20.03#	0.5	57530 AA010	
	92-94	19.95#	0.5	57530 AA030	
	90-91	1.75		57533 AA020	
	92-94			NOT USED	

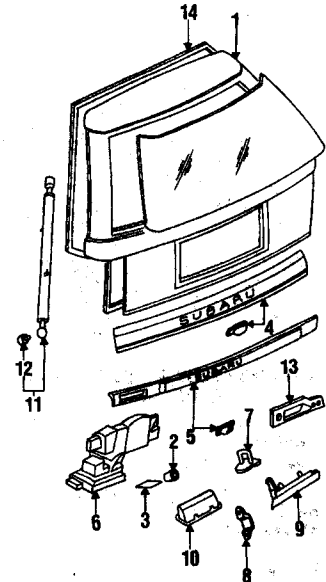
5	Lock cover	90-91	14.42		57534 AA000
		92-94			NOT LISTED
6	Striker	90-94	31.93	0.3	57531 AA000
	Cyl & keys	90-91	19.98 †	0.5	57420 AC040
	retainer clip	92-94	19.95 †	0.5	57441 AA140
		90-91	1.62		76012 2110
		92-93			NOT LISTED
7	Torsion bar				
	base model	90-92 R	42.03	0.2	57521 AA140
		90-92 L	42.03	0.2	57521 AA150
		92-94 R	39.42	0.2	57521 AA100
		92-94 L	39.42	0.2	57521 AA110
	L & LS	90-92 R	39.42	0.2	57521 AA100
		90-92 L	39.42	0.2	57521 AA110
	Turbo	91-94 R	39.42	0.2	57521 AA320
		91-94 L	39.42	0.2	57521 AA330
8	Hinge	(p.3) 90-94 R	57.53 †	0.5	57520 AA020
		(p.3) 90-94 L	57.53 †	0.5	57520 AA030
9	Hole plug	90-91	2.73		57536 AA020
10	Release cable	90-94	40.97	1.8	57330 AA120
	Handle	90-94	16.98		57340 AA010
11	Knob	90-91	5.30 †		57346A A000BI
		92-94	5.30 †		57346A A000BK
12	Hinge cover				
	to 2/92	90	18.00 †		57345A A010BI
	from 3/89	90-91	17.92 †		57345A A070BI
		92-94	17.73 †		57345A A070BK
13	Weatherstrip	90-91	98.85	0.5	57532 AA010
		92-94	77.82	0.5	57532 AA020

# PARTS: Does not include retainer clips.  
 † PARTS: Does not include hole cap. LABOR: After lid is removed.  
 ‡ PARTS: Order by color.  
 § PARTS: Does not include stopper.  
 @ PARTS: Part is listed in REAR BODY group.



SPOILER & LAMPS					
TURBO					
1	Spoiler wing	(p.1) 91-94	658.34	0.8	96053A A190WI
2	Protector	91-94 R	21.47		96053 AA231
		91-94 L	21.47		96053 AA241
3	clip	91-94	1.75		96053 AA250
4	nut	91-94	1.78		90237 0016
5	screw	91-94	1.16		04020 4166
6	Stop lamp assy				
	to 10/90	91	269.95 †	0.4	84701A A040LC
	from 11/90	91-94	269.95	0.4	84701 AA070

# PARTS: Order by color.



REFINISHING NOTES			
1	Rear lift gate exterior surface only	90-94	p.2.0
2	edges	90-94	p.5
3	inner panel	90-94	p.5

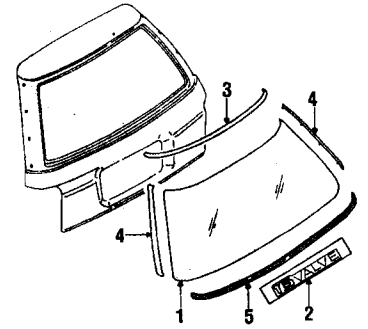
R&I OPERATIONS			
1	R&I lift gate assy	90-94	0.8

PARTS AND R&R OPERATIONS

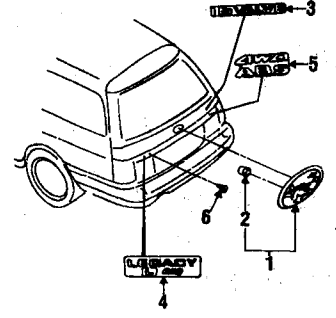
GATE & HARDWARE					
1	Lift gate				
	wo touring				
	STD	(p.3) 90-91	408.33 †	4.0	61160 AA050
	L & LS	(p.3) 90-91	412.33 †	4.0	61160 AA041
	USA built	(p.3) 92-94	408.33 †	4.0	61160 AA101
	Japan built	(p.3) 92-94	412.33 †	4.0	61160 AA041
	wtouring				
	L	(p.2) 90	408.33 †	4.0	61160 AA090
	LS	(p.2) 90	408.33 †	4.0	61160 AA080
					62301 AA010
					62501 AA000
					62501 AA000
2	Stopper	90-94	12.02		
3	Protector	90-91	1.78		62501 AA000
		94	1.78		62501 AA000
	License frame grommet	90-94	3.78		90930 0006
	Finish panel				
4	base model	90	380.78 @	0.9	91057 AA090
5	L & LS	90-91	269.37 @	0.9	91057 AA080
	all	92-94	229.95 @	0.9	91057 AA110
6	Lock				
	manual	90-94	114.45	0.5	62137 AA000
	power	90-94	311.28 †	0.5	62136 AA010
7	Striker	90-94	25.38	0.3	62135 AA110
8	Buffer stopper	90-94 R	17.98		60112 AA001
		90-94 L	17.98		60112 AA011
9	Handle, outside	90-94	45.75	0.5	62150 AA211

10	Cup holder	90-94	7.75		62150 AA220
	Cyl & Keys	90-94	19.95 †	0.5	X5741 AA030
	retainer clip	90-94	1.62		76012 2110
11	Support cylinder				
	wo touring	90-94 R	52.95	0.3	62350 AA080
		90-94 L	52.95	0.3	62350 AA090
	wtouring	90 R	52.95	0.3	62350 AA100
		90 L	52.95	0.3	62350 AA110
12	Mount stud	90-94	14.42		62351 AA010
13	Hinge	(p.3) 90-94 B	49.52 †	0.4	61820 FC000
14	Weatherstrip				
	wo touring	90-94	111.33	0.5	62714 AC020
	wtouring	90	129.68	0.5	90367 AA110

# PARTS: Does not include stopper, protector & compression nut.  
 † PARTS: Does not include retainer clip.  
 ‡ PARTS: Part is included with actuator unit.  
 @ PARTS: Finish panel includes license plate lamp assembly.  
 ‡ LABOR: After gate is removed.



GLASS					
1	Glass				
	Subaru, w/ho high stop lamp				
	tinited	90	361.63	2.0	65050A A080NA
	bronze	90	406.35	2.0	65050A A040NA
	Subaru, w/whigh stop lamp,				
	tinited				
	Japan built	90-94	361.63	2.0	65050A A080NA
	USA built to 9/91	90-92	357.70	2.0	65050A A080NE
	USA built fr 10/91	92-94	361.63	2.0	65050A A080NA
	Subaru, w/whigh stop lamp,				
	bronze				
	Japan built	90-91	406.35	2.0	65050A A090NA
	USA built	90-91	406.35	2.0	65050A A090NA
	NAGS				
	tinited	90-94	516.05	2.0	FB04013BTN
	bronze	90-91	516.05	2.0	FB04013ZTN
2	Bezel				
	"16-VALVE"	90-91	22.82	0.3	91531 AA150
	"16-VALVE ABS"	90-91	26.72	0.3	91531 AA160
	Molding				
	upper	90-94	38.93	0.5	65055 AA000
	side				
	90 R	153.57			65055 AA040
	90 L	153.57			65055 AA050
	91 R	148.00			65055 AA041
	91 L	126.40			65055 AA052
	92-94 R	126.40			65055 AA042
	92-94 L	126.40			65055 AA052
	lower				
	USA built	90-94	53.70	0.5	65055 AA090
	Japan built	90	47.88	0.5	65055 AA060
		91-94	53.70	0.5	65055 AA090



EXTERIOR TRIM					
1	Ornament	90-91	23.90	0.3	93060 AA320
2	retainer	90-91	1.75		93033 GA000
	Nameplate				
3	"16 Valve"	90-91	22.82	0.3	91531 AA150
4	"Legacy"	90	22.95	0.3	93080 AA430

CONTINUED

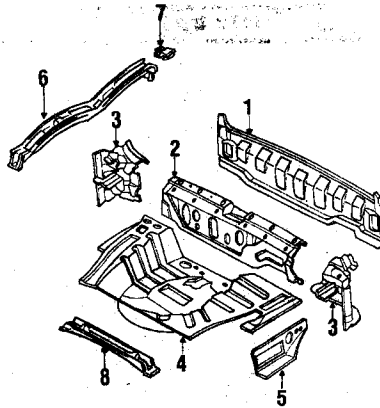
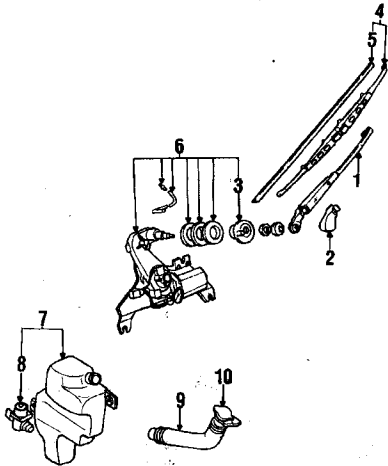
Please contact our Product Support Group if you require assistance locating, interpreting or using any information contained in this Estimating Guide. Toll Free Number: 1-800-426-6867.

### LIFT GATE (CONT)

Legacy L	90-91	22.95	0.3	93080 AA656
Legacy LS	90-91	22.95	0.3	93080 AA140
Legacy L 4WD	90-91	22.95	0.3	93080 AA640
Legacy LS 4WD	90-91	22.95	0.3	93080 AA130
L	92-94	24.95	0.3	93081 AA470
LS	92-94	24.95	0.3	93081 AA490
L 4WD	92-94	24.95	0.3	93081 AA480
LS 4WD	92-94	24.95	0.3	93081 AA500
LSi 4WD	92-94	24.95	0.3	93082 AA600
Turbo 4WD	92-94	24.95	0.3	93081 AA530
ABS	91	24.95	0.3	93082 AA008
4WD ABS	92-94	13.80	0.3	91531 AA830
Subaru	91	24.95	0.3	93082 AA010
USA built	92-94	19.95	0.3	93060 AA290
Japan built	92-94	22.95	0.3	93060 AA260
retainer	90-91	1.12		90920 7006

from 2/93	(p1.5) 93-94	169.95 #	5.5	52410 AA120
2 Floor pan	(p1.5) 90-94	333.58 †	16.5	52110 AA360
3 Extension	90-94 R	78.63	2.5	52120 AA110
	90-94 L	78.63	2.5	52120 AA120
Hole plug	90-94	1.70		57753 AA000
4 Package tray	90-94	341.48		53105 AA060
Reinf bracket				
5 Rear seat	90-94	57.25		96016 AA000
Jack bracket	90-94	22.10		94078 AA040
Spare bracket	90-94	33.65		52150 AA140
6 Sidemember rail	90-94 R	274.95 †	7.5	52150 AA150
	90-94 L	274.95 †	7.5	52150 AA160
7 Reinf bracket	90 R	29.95		52153 AA540
	90 L	29.95		52153 AA550
	91-94 R	29.95		52153 AB280
	91-94 L	29.95		52153 AB290
8 Rear crossmember	90-94	193.37		52140 AA150

† PARTS: Does not include extension & plugs. LABOR: After suspension, fuel tank and all necessary bolted on parts are removed. Includes R&R panel below lid.  
 ‡ PARTS: Does not include inner bracket. LABOR: After suspension, fuel tank & all necessary bolted on parts are removed.  
 # LABOR: After bumper is removed.



### WIPER COMPONENTS

1 Wiper arm	90-94	24.77	0.3	86532 AC290
2 Cover	90-94	4.13		86538 AA010
3 Nozzle	90-94	8.50	0.2	86636 AA090
4 Blade assy	90-94	8.22	0.2	86542 AA050
5 Insert	90-94	6.02		86548 AA010
6 Wiper motor	90-94	199.95	0.8	86511 AA071
7 Washer reservoir	90-94	101.98	0.6	86610 AA070
8 Pump	90-94	43.32		86611 AA020
9 Tube	90-94	14.42		86622 AA010
10 Cap				
to 1/92	90-92	2.73		86615 AA040
from 2/92	92-94	2.75		86615 GA250

### REAR BODY & FLOOR WAGON

#### REFINISHING NOTES

Refn panel below lid  
 inside only 90-94 p.7

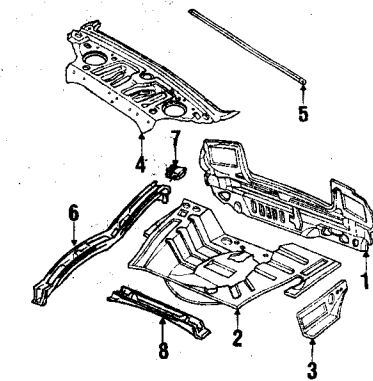
#### OVERLAP OPERATIONS

R&R panel below lid with 1 qtr panel off	90-94	2.0
deduct with 2 qtr panels off	90-94	3.0

#### PARTS AND R&R OPERATIONS:

1 Panel below lid	(p1.5) 90-94	99.98 @	5.0	52420-AA030
outer				
inner				
102 center	90-94	99.98 #	2.5	52410 AA051
103 outer	90-94 R	99.98	1.5	52410 AA060
	90-94 L	99.98	1.5	52410 AA070
104 Floor pan	(p1.5) 90-94	333.58 †	16.0	52110 AA360
105 Extension	90-94 R	78.63 †	2.5	52120 AA180
	90-94 L	78.63 †	2.5	52120 AA151
Hole plug				
outer	90-94	1.70		57753 AA010
inner	90-94	1.70		57753 AA000
Spare bracket	90-94	33.65		52150 AA140
6 Sidemember rail	90-94 R	274.95 †	7.5	52150 AA150
	90-94 L	274.95 †	7.5	52150 AA160
7 Reinf bracket	90 R	29.95		52153 AA540
	90 L	29.95		52153 AA550
	91-94 R	29.95		52153 AB280
	91-94 L	29.95		52153 AB290
8 Rear crossmember	90-94	193.37		52140 AA150

@ LABOR: After bumper is removed.  
 † PARTS: Does not include inner bracket. LABOR: After suspension, fuel tank & all necessary bolted on parts are removed.  
 # LABOR: With outer panel removed.  
 ‡ PARTS: Does not include extension & plugs. LABOR: After suspension, fuel tank, and all necessary bolted on parts are removed. Includes R&R panel below lid.  
 † LABOR: After quarter panel is removed.



#### REFINISHING NOTES

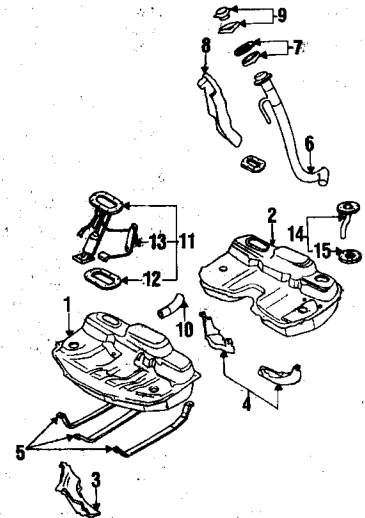
Refn panel below lid  
 inside only 90-94 p.7

#### OVERLAP OPERATIONS

R&R panel below lid with 1 qtr panel off	90-94	2.5
deduct with 2 qtr panels off	90-94	4.0

#### PARTS AND R&R OPERATIONS

1 Panel below lid	(p1.5) 90-91	169.95 #	5.5	52410 AA020
to 1/93	(p1.5) 92-93	169.95 #	5.5	52410 AA120



#### ADD IF REQUIRED

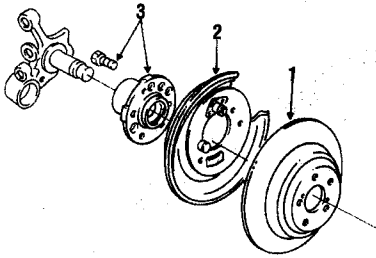
R&R hose  
 add for 4 wheel drive 90-94 1.5

R&I fuel tank  
 2WD 90-94 m 1.0  
 4WD 90-94 m 1.7

#### PARTS AND R&R OPERATIONS

FUEL SYSTEM COMPONENTS				
Fuel tank				
1134 1	2WD	90-94	438.61 m 1.3	42120 AA130
1135 2	4WD	90-94	617.44 m 2.0	42120 AA150
5 mount strap				
	2WD, side	90-91 R	87.83	42172 AA000
1139		90-91 L	74.50	42172 AA020
1140		91-94 R	72.57	42172 AA001
1141		91-94 L	74.50	42172 AA020
2WD, center				
	to 8/90	90-91	99.13	42172 AA010
1142	from 9/90	91-94	82.05	42172 AA011
4WD				
	to 8/90	90-91 R	91.45	42172 AA160
1143		90-91 L	91.45	42172 AA180
1144	from 9/90	91-94 R	75.77	42172 AA161
1145		91-94 L	84.60	42172 AA181
Shield				
3	2WD			
	to 8/90	90-91	30.63 m 0.5	42061 AA050
1146	from 9/90	91-94	23.92 m 0.5	42061 AA051
4WD				
	to 8/90	90-91 R	24.70 m 0.3	42061 AA040
1147		90-91 L	22.82 m 0.3	42061 AA030
1148	from 9/90	91-94 R	18.88 m 0.3	42061 AA041
1149		91-94 L	19.80 m 0.3	42061 AA031
1150		90-94	150.35 m 0.5	42066 AA131
1151		90-94	11.73	42056 AA000
6 Filler pipe				
7 retainer ring				
8 Shield				
	sedan	90-94	7.08	42061 AA000
	wagon	90-94	26.17	42061 AA060
9 Cap				
10 gasket				
	90-94	7.33		42060 GA081
10	Misc	90-94	35.43 m 0.6	42162 AA060
11 Fuel pump				
	2WD			
	w/o turbo	90-94	279.95 @m 1.3	42021 AC001
	w/turbo	91	279.95 @m 1.3	42021 AA300
	4WD			
	w/o turbo	90-94	279.95 @m 2.0	42021 AC013
	w/turbo	91-94	279.95 @m 2.0	42021 AC024
12 gasket				
	2WD	90-94	9.22 #	42060 AA040
	4WD w/o turbo	90-93	19.03 #	42060 AA070
		94	9.22 #	42060 AA040
	4WD w/turbo	90-94	9.22 #	42060 AA040
	90-94	26.58		42072 PA010
Filter				
Sending unit				
	2WD	90-94	85.20 #	85111 AA140
	4WD			
	primary	90-94	85.20 #	85111 AA022
	secondary	90-94	105.38	85111 AA051
	gasket	90-94	13.33 †	85125 AA000
	Fuel filter	90-94	6.95	42072 AA120

**PARTS:** Part is included in fuel pump assembly.  
**† PARTS:** Part is included with sender unit.  
**@ PARTS:** Part is included with primary sender. **LABOR:** Time includes R&I tank assembly.



**ADD IF REQUIRED**  
**Wheel alignment**

2WD					
rear wheel	90-94	m	0.8		
four wheel	90-94	m	1.8		
4WD					
rear wheel	90-94	m	1.0		
four wheel	90-94	m	2.0		
<b>Bleed brake system</b>					
w/o A.B.S.	90-94	m	0.3		
w/A.B.S.	90-94	m	0.6		

**OVERHAUL OPERATIONS**

**O/H suspension**

2WD					
one side	90-94 B	m	3.5		
both sides	90-94	m	6.8		
4WD					
one side	90-94 B	m	4.0		
both sides	90-94	m	7.8		

**R&I OPERATIONS**

**R&I suspension**

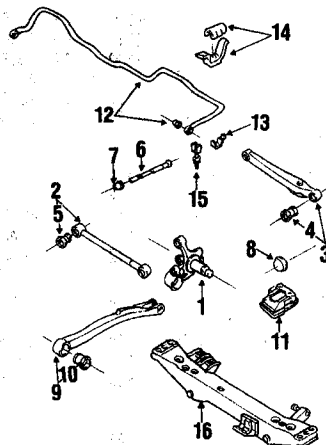
2WD					
one side	90-94 B	m	2.5		
both sides	90-94	m	4.8		
4WD					
one side	90-94 B	m	3.0		
both sides	90-94	m	5.8		

**PARTS AND R&R OPERATIONS**

**-----BRAKE COMPONENTS-----**  
**2 WHEEL DRIVE**

<b>1 Rotor</b>					
solid	90-94 B	69.95	m	0.7	26310 AA051
vented	91-94 B	77.50	m	0.7	26310 AA112
<b>2 Splash shield</b>					
w/o ABS	90-91 R	89.78	† m	0.3	26255 AA041
	90-91 L	96.58	† m	0.3	26255 AA050
	92-94 R	89.78	† m	0.3	26255 AA041
	92-94 L	112.53	† m	0.3	26255 AA051
w/ABS	90-91 R	100.97	† m	0.3	26255 AA060
	90-91 L	100.97	† m	0.3	26255 AA070
	92-94 R	127.42	† m	0.3	26255 AA061
	92-94 L	127.42	† m	0.3	26255 AA071
<b>Caliper</b>					
sedan					
w/o pad kit	90-94 R	169.95	m	0.6	26291 AA080
	90-94 L	169.95	m	0.6	26291 AA070
w/pad kit	90-92 R	151.65	m	0.6	26291A A060R1
	90-92 L	151.65	m	0.6	26291A A070R1
wagon					
w/o pad kit	90-94 R	169.95	m	0.6	26291 AA080
	90-94 L	169.95	m	0.6	26291 AA090
w/pad kit	90-92 R	151.65	m	0.6	26291A A080R1
	90-92 L	151.65	m	0.6	26291A A090R1
<b>Hose</b>					
USA built	92-94 R	54.22	m	0.5	X2651 AA030
	92-94 L	54.22	m	0.5	X2651 AA040
Japan built	90-94 R	49.78	m	0.5	26531 AA041
	90-94 L	49.78	m	0.5	26531 AA070
<b>3 Hub</b>					
w/o ABS	90-94 B	119.95	m	0.8	28063 AA000
w/ABS	90-94 B	262.92	m	0.8	28063 AC000
bolt	90-94	2.95	†		28055 AA002

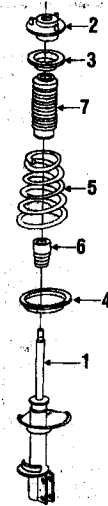
**# PARTS:** Part is included with hub.  
**† LABOR:** After brake disc is removed.



**-----SUSPENSION COMPONENTS-----**  
**2 WHEEL DRIVE**

<b>1 Spindle</b>	90-94 R	212.90	m	1.2	28411 AA020
	90-94 L	212.90	m	1.2	28411 AA030
<b>2 Lateral arm</b>					
front	90-94 B	119.95	m	1.3	20250 AA012
rear					
w/o stabilizer	92-94 B	133.30	m	1.3	20255 AA023
w/stabilizer	90-92 R	166.00	m	1.3	20255 AA052
	90-92 L	121.45	m	1.3	20255 AA062
	93-94 R	145.18	m	1.3	20255 AA340
	93-94 L	145.18	m	1.3	20255 AA350
<b>4 bushing</b>					
front link	90-94	26.17	†		20251 AA000
outer	90-94	26.17	†		20251 AA090
inner	90-94	13.38	†		20251 AA031
<b>6 bolt</b>					
inner	90-94	16.12			20540 AA050
outer	90-94	25.47			20540 AA010
<b>7 Alignment cam</b>	90-94	12.45			20550 AA090
<b>8 End cap</b>	90-94	8.98			20530 AA020
<b>9 Trailing arm</b>	90-94 B	82.75	m	0.6	20270 AA001
<b>10 bushing</b>					
front	90-94	30.40	†		20271 AA021
rear	90-94	29.10			20271 AA010
<b>11 mount bracket</b>	90-94 R	33.60			20520 AA030
	90-94 L	33.60			20520 AA040
<b>12 Stabilizer bar</b>					
to 3/89	90	131.15	0.7		20450 AA030
from 4/89	90-91	197.67	0.7		20450 AA032
	92	166.45	0.7		20450 AA022
	93-94	160.38	0.7		20450 AA070
bushing	90-92	8.30			21047 GA811
	93-94				NOT LISTED
<b>13 clamp</b>	90-94	8.98			20402 AA000
<b>14 bracket</b>					
to 1/91	90-92 R	22.10			20520 AA050
	90-92 L	18.23			20520 AA011
from 1/92	92-94 R	16.23			20520 AA001
	92-94 L	16.23			20520 AA011
<b>15 link</b>					
to 3/89	90	19.83			20480 AA090
from 4/89	90-92	18.58			20480 AA002
	93-94	94.32			20481 AA001
<b>16 Sup crossmember</b>	90-94	283.52	s	5.0	20150 AA111
2 wheel drive	90-94	283.52	s	5.0	20150 AA111

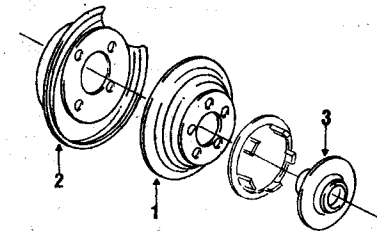
**# PARTS:** Part is included with link assembly.  
**† PARTS:** Part is included with trailing arm.



**-----STRUTS & SUSPENSION COMPONENTS-----**  
**2 WHEEL DRIVE**

<b>1 MacPherson strut</b>					
sedan					
w/o turbo	90-91 R	99.95	m	1.5	20361 AA601
	90-91 L	99.95	m	1.5	20361 AA611
	92-94 R	99.95	m	1.5	20362 AA521
	92-94 L	99.95	m	1.5	20362 AA531
w/turbo	91 R	99.95	m	1.5	20361 AA960
	91 L	99.95	m	1.5	20361 AA970
	92-94				NOT LISTED
wagon	90-91 R	99.95	m	1.5	20361 AA701
	90-91 L	99.95	m	1.5	20361 AA711
	92-94 R	99.95	m	1.5	20362 AA601
	92-94 L	99.95	m	1.5	20362 AA611
<b>2 mount</b>	90-91 R	80.63			20370 AA021
	90-91 L	80.63			20370 AA031
	92-94 R	80.63			20370 AA220
	92-94 L	80.63			20370 AA230
<b>3 Seat</b>					
upper	90-91	19.05			20375 AA011
	92-94	19.07			20375 AA030
<b>4 lower</b>					
to 1/93	90-93	13.15			20375 AA002
from 2/93	93-94	13.15			20375 AA002
<b>5 Spring</b>					
standard	90-94 B	58.83	†	1.5	20381 AA600
heavy duty					
manual trans	90 B	58.83	†	1.5	20381 AA620
	91-94 B	58.83	†	1.5	20381 AA610
auto trans	90 B	58.83	†	1.5	20381 AA610
	91-94 B	58.83	†	1.5	20381 AA640
	91 B	58.83	†	1.5	20381 AA860
<b>6 Stopper</b>	90-91	55.37			20371 AA020
	92-94	22.60			20371 AA040
<b>7 Dust cover</b>	90-91	29.78			20372 AA000
	92-94	17.40			20372 AA031

**# PARTS:** Order by year & code number.



**-----BRAKE COMPONENTS-----**  
**4 WHEEL DRIVE**

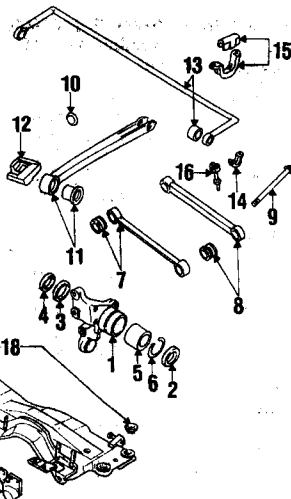
<b>1 Rotor</b>					
w/o turbo	90-94 B	69.95	m	0.7	26310 AA051
w/turbo	91-94 B	77.50	m	0.7	26310 AA112
<b>2 Splash shield</b>					
w/o ABS	90-91 R	89.78	† m	0.3	26255 AA041
	90-91 L	96.58	† m	0.3	26255 AA050
	92-94 R	89.78	† m	0.3	26255 AA041
	92-94 L	112.53	† m	0.3	26255 AA051
w/ABS	90-91 R	100.97	† m	0.3	26255 AA060
	90-91 L	100.97	† m	0.3	26255 AA070
	92-94 R	127.42	† m	0.3	26255 AA061
	92-94 L	127.42	† m	0.3	26255 AA071

CONTINUED

## REAR SUSPENSION (CONT)

<b>Calliper</b>			
w/o turbo, sedan	90-94 R	169.95	m 0.6 26291 AA060
w/pad kit	90-94 L	169.95	m 0.6 26291 AA070
	90-92 R	151.65	m 0.6 26291A A060R1
	90-92 L	367.06	m 0.6 SOA52 4113R
<b>w/o turbo, wagon</b>			
w/o pad kit	90-94 R	169.95	m 0.6 26291 AA080
	90-94 L	169.95	m 0.6 26291 AA090
w/pad kit	90-92 R	151.65	m 0.6 26291A A080R1
	90-92 L	151.65	m 0.6 26291A A090R1
<b>w/turbo</b>			
w/o pad kit	91-94 R	169.95	m 0.6 26291 AA100
	91-94 L	169.95	m 0.6 26291 AA110
w/pad kit	91-92 R	299.95	m 0.6 26220 AA121
	91-92 L	299.95	m 0.6 26220 AA131
<b>Hose</b>			
USA built	92-94 R	54.22	m 0.6 X2651 AA030
	92-94 L	54.22	m 0.6 X2651 AA040
Japan built	90-94 R	49.78	m 0.6 26531 AA041
	90-94 L	49.78	m 0.6 26531 AA070
<b>Hub</b>	90-94 B	150.83	m 1.8 28052 AA031
<b>bolt</b>	90-94	2.95 ‡	28055 AA002

# PARTS: Part is included with hub.  
‡ LABOR: After brake disc is removed.

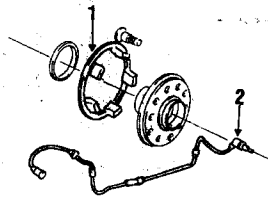


### SUSPENSION COMPONENTS 4 WHEEL DRIVE

<b>1 Knuckle</b>	90-94 R	141.25 †	m 2.0 28411 AA000
	90-94 L	141.25 †	m 2.0 28411 AA010
<b>seal</b>			
<b>2 outer</b>	90-94	10.45	28015 AA050
<b>3 inner</b>	90-92	10.13	28015 AA100
	93-94	10.13	28015 AA100
	90-94	12.13	28015 AA110
<b>4 to shaft</b>	90-94	99.95	28016 AA030
<b>5 Wheel bearing</b>	90-94	99.95	28035 AA040
<b>6 snap ring</b>	90-94	5.95	28035 AA040
<b>Link arm</b>			
<b>7 front</b>	90-94 B	119.95	m 1.0 20250 AA002
<b>bushing</b>			
<b>8 outer</b>	90-94	26.17 †	20251 AA000
<b>9 inner</b>	90-94	26.17 †	20251 AA010
<b>10 rear</b>	92-94	133.30	20255 AA013
w/o stabilizer	90-92 B	166.00	m 1.0 20255 AA042
w/stabilizer	93-94 R	151.25	20255 AA300
	93-94 L	151.25	20255 AA310
<b>bushing</b>			
<b>11 outer</b>	90-94	26.17 †	20251 AA000
<b>12 inner</b>	90-94	10.58 †	20251 AA021
<b>13 bolt</b>	90-94	25.47	20540 AA000
<b>14 nut</b>	90-94	8.98	20530 AA020
<b>15 trailing arm</b>	90-94 B	82.75	m 0.6 20270 AA001
<b>bushing</b>			
<b>16 front</b>	90-94	30.40 †	20271 AA021
<b>17 rear</b>	90-94	29.10 †	20271 AA010
<b>18 mount bracket</b>	90-94 R	33.60	20520 AA030
	90-94 L	33.60	20520 AA040
<b>19 stabilizer bar</b>			
w/o turbo, w/o air susp	89	131.15	m 0.8 20450 AA010
to 3/89	90-91	183.92	m 0.8 20450 AA012
from 3/89	92	164.92	m 0.8 20450 AA002
w/o turbo, w/air suspension	90	131.15	m 0.8 20450 AA040
to 3/89	90-91	183.92	m 0.8 20450 AA042
to 12/90	91-92	183.92	m 0.8 20450 AA042

w/turbo	to 12/90	91	202.27	m 0.8 20450 AA051
	from 1/91	91	197.67	m 0.8 20450 AA052
		92	183.92	m 0.8 20450 AA042
14 mm		93-94	160.38	m 0.8 20450 AA070
16 mm		93-94	163.27	m 0.8 20450 AA080
18 mm		93-94	166.38	m 0.8 20450 AA090
<b>bushing</b>				
w/o turbo		90-91	8.30	21047 GA811
w/o air suspension		92	5.32	20401 AA000
w/air suspension		90-92	9.62	21047 GA671
w/turbo		91	4.82	20401 FA021
		92	9.62	21047 GA671
all		93-94		NOT LISTED
<b>14 clamp</b>		90-94	8.98	20402 AA000
<b>15 bracket</b>				
to 12/91, with cover		90-92 R	22.10	20520 AA050
		90-92 L	16.23	20520 AA011
from 1/92		92-94 R	16.23	20520 AA001
		92-94 L	16.23	20520 AA011
<b>16 link</b>				
to 3/89		90	19.83	20480 AA000
from 3/89		90-92	18.58	20480 AA002
		93-94	94.32	20481 AA001
<b>bolt</b>		90-94	2.53	01230 8456
<b>nut</b>		90-94	2.47	90235 0018
<b>Differential</b>				
3.90 gear		90-91	1070.47	m 3.0 27011 AA070
to 6/90		91	1117.61	m 3.0 27011 AA131
from 7/90		92-94	713.23	m 3.0 27011 AA151
4.11 gear		90-94	699.99	m 3.0 27011 AA111
<b>Rear suspension</b>				
<b>17 4 wheel drive w/o turbo</b>		90-94	327.00	m 6.0 20151 AA001
4 wheel drive w/turbo		91-92	412.77	m 6.0 20151 AA030
from 7/91 to 11/91		92	412.77	m 6.0 20151 AA031
from 12/91		92-94	403.45	m 6.0 20151 AA021
<b>18 bushing</b>				
w/o turbo		90-94	32.00 @	20174 AA010
w/turbo		91-94	35.67 @	20174 AA020
<b>19 front panel</b>		90-92 R	23.67 @	20570 AA090
		90-92 L	23.67 @	20570 AA100

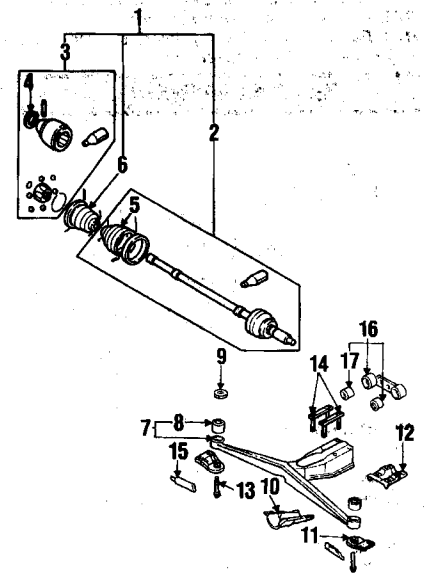
# PARTS: Part is included with lateral link.  
† PARTS: Does not include bearing, seals & snap ring.  
‡ PARTS: Part is included with trailing link.  
@ PARTS: Part is included in member assembly.



### ABS COMPONENTS

<b>1 Speed sensor</b>	90-94	#	SEE FOOTNOTE
2WD	90-94	103.40	26750 AA003
4WD	90-94	71.96	26750 AA013
<b>2 Sensor</b>	90-94 R	149.98	m 0.5 26740 AA021
	90-94 L	149.98	m 0.5 26740 AA031

# PARTS: Part is listed in FRONT SUSPENSION group.

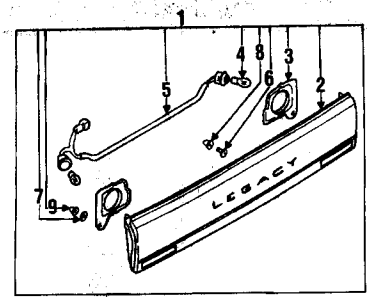
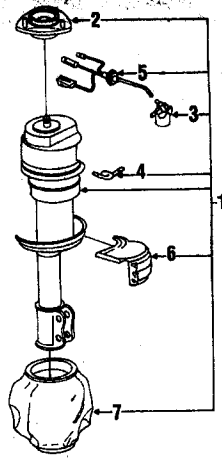
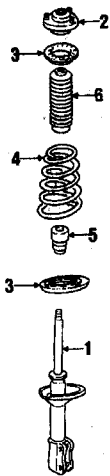


### AXLE SHAFT

<b>1 Axle Assy</b>				
manual trans	to 10/91	91-92 R	299.95	m 1.0 28021 AA082
		91-92 L	299.95	m 1.0 28021 AA112
	from 11/91	92-94 R	299.95	m 1.0 28021 AA082
		92-94 L	299.95	m 1.0 28021 AA092
auto trans		90-94 R	299.95	m 1.0 28021 AA082
		90-94 L	299.95	m 1.0 28021 AA092
<b>2 Outer joint Assy</b>				
manual trans	from 4/91 to 10/91	91-92 R	239.95 †	m 0.5 28091 AA072
		91-92 L	239.95 †	m 0.5 28091 AA082
	from 11/91	92-94 R	239.95 †	m 0.5 28091 AA053
		92-94 L	239.95 †	m 0.5 28091 AA063
auto trans		90-94 R	239.95 †	m 0.5 28091 AA053
		90-94 L	239.95 †	m 0.5 28091 AA063
<b>3 Inner joint</b>				
manual trans	to 10/91	91-92 B	171.70 †	m 0.5 28092 AA090
	from 11/91	92-94 B	171.70 †	m 0.5 28092 AA080
auto trans		90-94 B	171.70 †	m 0.5 28092 AA080
<b>4 Baffle plate</b>	90-94	5.95 †	23233 GA091	
<b>5 Outer boot</b>				
manual trans	to 10/91	91-92	12.65 †	28023 AA090
	from 11/91	92-94	9.65 †	23222 GA143
auto trans		90-94	9.65 †	23222 GA143
<b>6 Inner boot</b>				
manual trans	to 10/91	91-92	12.65 †	28023 PA050
	from 11/91	92-94	9.65 †	28023 AA011
auto trans		90-94	9.65 †	28023 AA011
<b>7 Crossmember</b>	90-94	228.95 †	41310 AA040	
<b>8 bushing</b>	90-94	44.82 †	41322 AA010	
<b>9 washer</b>	90-94	8.82	41324 AA010	
<b>10 Center cover</b>				
to 2/89		90	28.45	41325 AA010
from 3/89 to 11/89		90	28.45	41325 AA010
from 12/89 to 8/91		90-92	28.45	41325 AA010
from 9/91		92-94	28.45	41325 AA010
<b>mount bracket</b>				
<b>11 front</b>	to 2/89	90	12.02	41321 AA070
	from 3/89	90-94	12.02	41321 AA070
<b>12 rear</b>	to 2/89	90	23.67	41321 AA060
	from 3/89	90-94	23.67	41321 AA060
<b>13 bolt</b>	90-94	7.58	41332 AA010	
<b>14 stud</b>	90-94	22.02	41323 AA000	
<b>15 Deflector</b>	90-94 R	8.52	41333 AA006	
	90-94 L	8.52	41333 AA010	
<b>16 Differential mount</b>				
to 3/90		90	119.75	41310 AA031
from 3/90		90-94	119.75	41310 AA031
<b>17 bushing</b>	90	38.32 @	41322 AA021	

† PARTS: Part is included in outer joint & shaft assembly.  
‡ PARTS: Part is included in member assembly.  
@ PARTS: Part is included in inner joint assembly.  
# PARTS: Part is included with differential mount.  
\* PARTS: Part is included with differential member.  
# LABOR: After shaft is removed. PARTS: Part is included in axle assembly.

Please contact our Product Support Group if you require assistance locating, interpreting or using any information contained in this Estimating Guide. Toll Free Number: 1-800-426-6867.



**STRUTS & SUSPENSION COMPONENTS**  
**4 WHEEL DRIVE W/O AIR SUSPENSION**

**1 MacPherson strut**

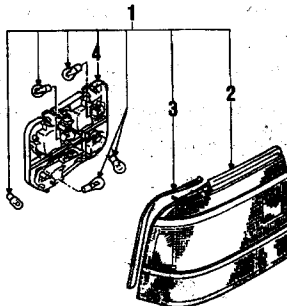
sedan									
w/o turbo	90-91 R	99.95	m	1.5	20361	AA201			
	90-91 L	99.95	m	1.5	20361	AA211			
	92-94 R	99.95	m	1.5	20362	AA121			
	92-94 L	99.95	m	1.5	20362	AA131			
w/turbo	91 R	99.95	m	1.5	20361	AA921			
	91 L	99.95	m	1.5	20361	AA931			
	92-94 R	99.95	m	1.5	20362	AA201			
	92-94 L	99.95	m	1.5	20362	AA211			
wagon	90-91 R	99.95	m	1.5	20361	AA401			
	90-91 L	99.95	m	1.5	20361	AA411			
w/o turbo	92-94 R	99.95	m	1.5	20362	AA121			
	92-94 L	99.95	m	1.5	20362	AA131			
w/turbo	92-94 R	99.95	m	1.5	20362	AA201			
	92-94 L	99.95	m	1.5	20362	AA211			
<b>2 Mount</b>	90-91 R	80.63			20370	AA001			
	90-91 L	80.63			20370	AA011			
	92-94	80.63			20370	AA200			
<b>3 Seat</b>									
upper	90-91	19.05			20375	AA011			
	92-94	19.07			20375	AA030			
lower									
to 1/93	90-93	15.08			20375	AA001			
from 2/93	93-94	13.15			20375	AA002			
<b>4 Spring</b>									
sedan, standard duty									
w/o limited slip	90	B	58.83	1.5	20381	AA200			
w/limited slip	90	B	58.83	1.5	20381	AA210			
	91	B	58.83	1.5	20381	AA200			
sedan, heavy duty									
manual trans	91	B	58.83	1.5	20381	AA210			
	92	B	58.83	1.5	20382	AA060			
	93-94	77.37	1.5	20382	AA030				
auto trans.	91	B	58.83	1.5	20381	AA250			
turbo	92-94 B	58.83	1.5	20382	AA070				
	91	B	58.83	1.5	20381	AA850			
	92	B	58.83	1.5	20382	AA220			
	93	B	58.83	1.5	20382	AA210			
wagon	90	B	58.83	1.5	20381	AA400			
manual trans w/o LS	91	B	58.83	1.5	20381	AA430			
manual trans w/LS	91	B	105.13	1.5	20381	AA450			
auto trans.	91	B	58.83	1.5	20381	AA400			
all	92	B	58.83	1.5	20382	AA150			
	93-94 B	58.83	1.5	20382	AA130				
<b>5 Stepper</b>	90-91	55.37			20371	AA020			
	92-94	22.60			20371	AA040			
<b>6 Dust cover</b>	90-91	29.78			20372	AA000			
	92-94	17.40			20372	AA031			

\* PARTS: For estimating purposes only. Order by description & year.

**STRUTS & SUSPENSION COMPONENTS**  
**4 WHEEL DRIVE W/AIR SUSPENSION**

1 MacPherson strut	90-94 R	357.14	1.3	20650	AA101
	90-94 L	357.14	1.3	20650	AA111
2 Mount	90-94	80.63		20370	AA060
3 Valve	90-94 R	86.95		20660	AA000
	90-94 L	103.72		20660	AA010
4 Line kit	90-94 L	13.38		20711	AA160
	90-94 R	13.38		20711	AA170
5 Pipe	90-94	25.18		20711	AA130
6 Shield	90-94 R	25.93		20414	AA080
	90-94 L	25.93		20414	AA070
7 Cover	90-94	3.02		20663	AA000

\* PARTS: Part is included in strut assembly.



**PARTS AND R&R OPERATIONS**

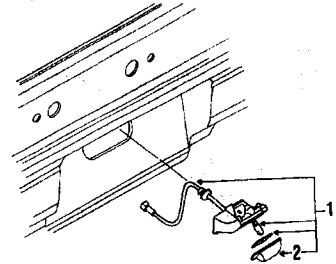
<b>TAIL LAMPS</b>									
1 Lamp Assy	90-91 R	129.95	0.4	84201	AA100				
	90-91 L	129.95	0.4	84201	AA110				
	92 R	129.95	0.4	84201	AA300				
	92 L	129.95	0.4	84201	AA310				
	93-94 R	129.95	0.4	84201	AA301				
	93-94 L	129.95	0.4	84201	AA311				
2 Lens & housing	90-91 R	99.95		84912	AA190				
	90-91 L	99.95		84912	AA200				
	92 R	99.95		84912	AA480				
	92 L	99.95		84912	AA490				
	93-94 R	99.95		84912	AA481				
	93-94 L	99.95		84912	AA491				
3 Seal	90-91 R	8.00		84942	AA070				
	90-91 L	8.00		84942	AA080				
	92-94 R	8.00		84942	AA120				
	92-94 L	8.00		84942	AA130				
4 Socket	90-91 R	85.17		84931	AA480				
	90-91 L	85.17		84931	AA490				
	92-94 R	80.58		84931	AA340				
	92-94 L	83.87		84931	AA350				
<b>Bulb</b>									
tail & stop	90-94	1.95		78492	0030				
back-up	90-94	1.95		78492	0020				
turn signal	90-94	1.50		68410	2510				

\* PARTS: Part is included in lamp assembly.

**REAR FINISHER LAMP**  
**1992-94**

1 Lamp Assy	92-94	401.13	1.0	84251	AA010
8 clip	92-94	1.12		91167	AA000
9 nut	92-94	1.44		91029	GA091
2 Lens & housing	92-94	423.77		84912	AA440
3 packing	92-94	9.65		84940	AA070
6 clip	92-94	.64		91167	AA120
7 gasket	92-94	1.95		84940	AA090
4 Bulb	92-94	1.95		78492	0030
5 Socket	92-94	7.25		84931	AA310

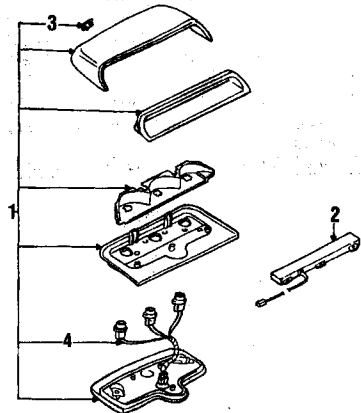
\* Included with finisher lamp assembly.



**LICENSE LAMPS**

1 License lamp	90-94	33.75	0.3	84301	AA030
grommet	90-94	1.00		84952	AA000
2 Lens	90-94	5.62		84910	AA070
Bulb	90-94	1.50		78430	1350

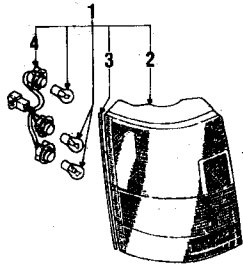
\* PARTS: Part is included in lamp assembly.



**HIGH MOUNT LAMPS**

<b>Stop lamp Assy</b>					
1 w/o spoiler	90-91	149.98	0.5	84701A	A000BI
	92-94	149.98	0.5	84701A	A000EM
2 w/spoiler					SEE FOOTNOTE
3 Hole plug	90-91	1.98		84956A	A020BI
	92-94	1.98		84956A	A020BK
4 Socket	90-94	31.93		84931	AA070
Bulb	90-94	1.95		84920	AA020

\* PARTS: Order by color.  
 † PARTS: Part is included with stop lamp assembly.  
 ‡ PARTS: Part is listed in TRUNK LID group.

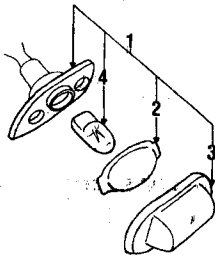


**PARTS AND R&R OPERATIONS**

**TAIL LAMPS**

1 Lamp Assy	90-91 R	129.95	0.4	84201 AA140
	90-91 L	129.95	0.4	84201 AA150
	92-94 R	129.95	0.4	84201 AA141
	92-94 L	129.95	0.4	84201 AA150
2 Lens & housing	90-94 R	99.95 #		84912 AA140
	90-94 L	99.95 #		84912 AA150
3 seal	90-94	14.20 #		84942 AA050
	90-91 R	95.90 #		84931 AA240
4 Socket	90-91 L	48.98 #		84931 AA580
	92-94 R	95.90 #		84931 AA240
Bulb	tail & stop	90-94	1.95 #	78492 0030
	turn & back-up	90-94	1.95 #	78492 0020

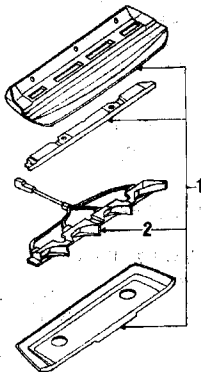
# PARTS: Part is included in lamp assembly.



**LICENSE LAMPS**

1 License lamp	STD.	90-91	31.83 #	0.5	84301 AA080
		92	29.53 #	0.5	84301 AA050
	exc. STD.	90-94	29.53 #	0.5	84301 AA050
2 Lens	90-94	2.95 #		84910 AA080	
3 Cover	90-94	3.75 #		84953 AA020	
4 Bulb	90-94	1.50 #		68410 2510	

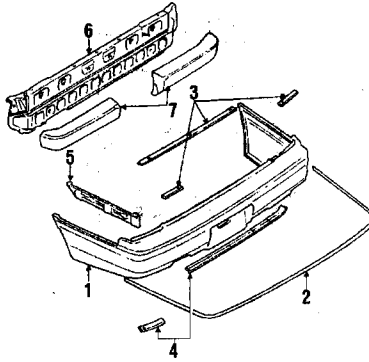
# PARTS: License lamp assembly is included in finish panel assembly.  
† PARTS: Part is included in license lamp assembly.



**HIGH MOUNT LAMPS**

1 Lamp Assy	90-91	149.98 #	0.5	84701A A010B
	92-94	149.98 #	0.5	84701A A010E
Hole plug	90-91	1.98 #		84958A A050BK
	92-93	1.98 #		84958A A050EM
	90-93	22.10 #		84931 AA160
	90-93	1.95 #		84920 AA020

# PARTS: Order by color.  
† PARTS: Part is included with stop lamp assembly.



**OVERHAUL OPERATIONS**

O/H bumper Assy 90-94 2.5

**R&I OPERATIONS**

R&I bumper Assy 90-94 1.0

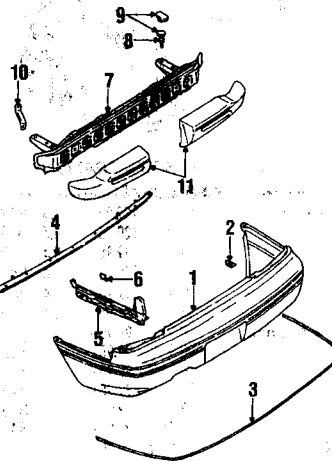
**PARTS AND R&R OPERATIONS**

**BUMPER & COMPONENTS**

**1990-91 SEDAN**

1 Bumper cover	(p2) 90-91	224.95 #	2.5	57720 AA080
lower brace	90-91	8.50 #		57790 AA160
3 retainer	upper	90-91	5.50 #	57770 AA120
	outer	90-91	24.95 #	57770 AA080
	inner	90-91	24.95 #	57770 AA080
4 lower	90-91 R	24.95 #		57770 AA080
	90-91 L	5.50 #		57790 AA020
5 bracket	90-91 R	69.95 #		57790 AA020
	90-91 L	69.95 #		57790 AA030
Corner shield	outer	90-91 R	3.95 #	57798 AA060
		90-91 L	3.95 #	57798 AA070
	inner	90-91 R	3.95 #	57798 AA020
	90-91 L	3.95 #	57798 AA030	
License bracket	90-91	2.25	0.3	57745 GA420
2 Molding	90-91	49.95 #		57780 AA010
6 Reinforcement	90-91	399.95 #	2.5	57760 AA030
	90-91 R	64.95 #	2.5	57730 AA010
7 Energy pad	90-91 L	64.95 #	2.5	57730 AA030

# PARTS: Does not include protectors, brace & bracket.  
† LABOR: Time is for overhaul.  
‡ LABOR: Included in overhaul time.



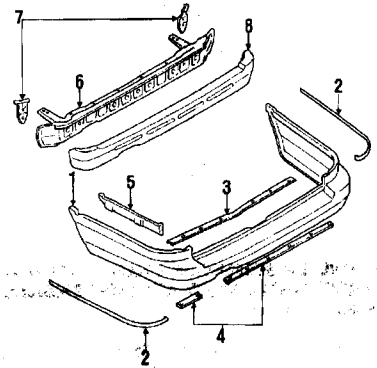
**BUMPER & COMPONENTS**

**1992-94 SEDAN**

1 Bumper cover	(p2) 92-94	224.95 #	2.5	57720 AA110
clip	92-94	1.92		57750 AA080
2 lower brace	92-94	8.50 #		57790 AA160
3 retainer	92-94	69.95 #		57761 AA230
5 bracket	92-94 R	49.95 #		57790 AA300
	92-94 L	49.95 #		57790 AA310
6 clip	to 8/91	92	2.17 #	79605 0160
	from 7/91	92-94	1.20 #	57750 AA100
3 Molding	92-94	49.95 #		57780 AA010
7 Reinforcement	92-94	239.95 #	2.5	57760 AA380
10 bracket	92-94 R	7.75 #		57740 AA930
	92-94 L	7.75 #		57740 AA940
8 mount bolt	92-94	2.53 #		90112 0047
9 hole plug				

upper	92-94	2.12 #		57753 AA021
lower	92-94	1.70 #		57753 AA000
11 Energy pad	92-94 R	19.95 #	2.5	57730 AA050
	92-94 L	19.95 #	2.5	57730 AA060
License mount retainer nut	92-94	2.25		57745 GA420

# PARTS: Does not include brace. LABOR: Time is for overhaul.  
† PARTS: Does not include mounting bolt & plug. LABOR: Time is for overhaul.  
‡ PARTS: Does not include clip. LABOR: Included in overhaul time.



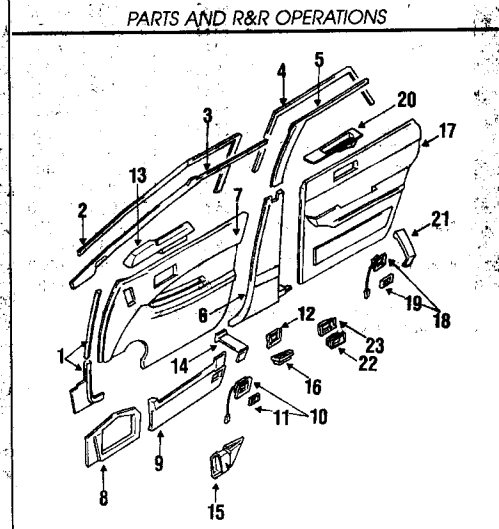
**BUMPER & COMPONENTS**

**WAGON**

1 Bumper cover	(p2) 90-94	224.95 #	2.5	57720 AA080
lower brace	90-94	8.50 #		57790 AA170
3 retainer	upper	90-94	24.95 #	57770 AA050
	lower	90-94 R	24.95 #	57770 AA060
	90-94 L	5.50 #		57770 AA070
5 bracket	90-94 R	39.95 #		57790 AA070
	90-94 L	39.95 #		57790 AA080
Corner shield	90-92 R	3.95 #		57798 AA060
	90-92 L	3.95 #		57798 AA070
2 Molding	90-94 R	34.75 #		57780 AA020
	90-94 L	34.75 #		57780 AA030
6 Reinforcement	90-94	239.95 #	2.5	57760 AA131
	7 bracket	90-92 R	34.70 #	57743 AA010
	to 7/91	90-92 L	34.70 #	57743 AA020
	90-92 L	34.70 #		57743 AA011
	from 8/91	92-94 R	24.75 #	57743 AA021
	92-94 L	24.75 #		57743 AA021
8 Energy pad	90-94	89.95 #	2.5	57730 AA020

# PARTS: Does not include protectors & brace. LABOR: Time is for overhaul.  
† LABOR: Time is for overhaul.  
‡ LABOR: Included in overhaul time.

Part numbers and prices may vary because of types and colors. The information listed below is for estimating purposes only. For actual prices and ordering parts consult your local dealer. On those panels where refinishing is necessary, estimate paint time accordingly.



**INTERIOR TRIM**

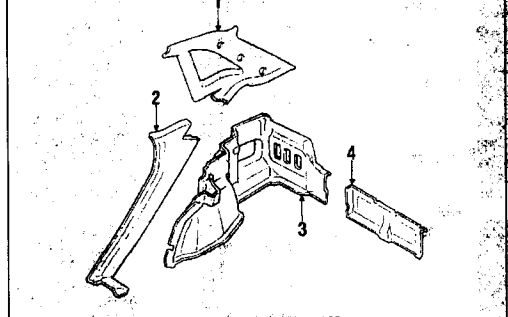
**SEDAN**

Headliner w/o sunroof	90-91	219.95	2.0	94035A A020BJ
-----------------------	-------	--------	-----	---------------

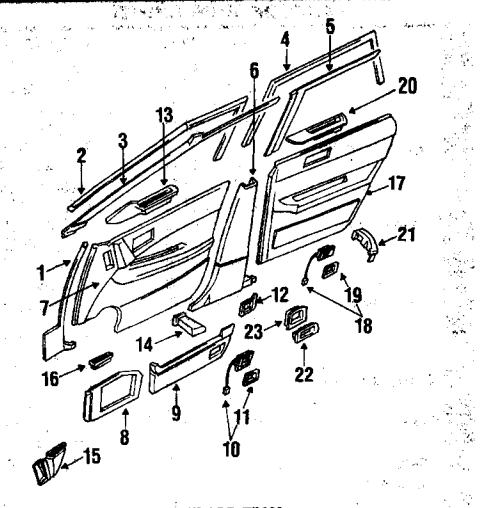
2621		92-94	219.95	2.0	94035A A180MK
2622	w/sunroof	90-91	349.95	2.0	94035A A030BJ
2623		92-93	299.95	2.0	94035A A251MK
2624		94	349.95	2.0	94035A A030MK
<b>Grip handle</b>					
2073	front	90-91	38.12	0.2	92040A A000BJ
2623		92-94	28.57	0.2	92040A A000MK
2076	rear	90-91	42.03	0.2	92040A A010BJ
2624		92-94	31.42	0.2	92040A A010MK
<b>front bracket</b>					
2074	w/o sunroof	90-94	22.82		92041 AA030
2075	w/sunroof	90-94	22.82		92041 AA000
2077	rear bracket	90-94	22.82		92041 AA020
2078	Coat hook	90-94	4.37	0.2	92022A A000BJ
<b>1 Cowl trim</b>					
1362	upper	90-91 R	14.42	0.3	94090A A310BI
1363		90-91 L	14.42	0.3	94090A A320BI
2625		92-94 R	12.48	0.3	94090A A000BK
2626		92-94 L	14.38	0.3	94090A A010BK
1364	lower	90 R	61.03	0.4	94090A A400BI
1365		90 L	61.03	0.4	94090A A410BI
2025		91 R	58.25	0.4	94090A A441BI
2026		91 L	65.10	0.4	94090A A451BI
2627		92 R	45.82	0.4	94090A A400BK
2628		92 L	45.82	0.4	94090A A410BK
3256		93-94 R	17.47	0.4	94090A A740BK
3257		93-94 L	17.47	0.4	94090A A750BK
1366	<b>2 Bolt molding</b>	90-91 R	29.95	0.3	94018A A081BI
1367		90-91 L	29.95	0.3	94018A A091BI
2629		92-94 R	59.95	0.3	94018 AA061
2630		92-94 L	59.95	0.3	94018 AA071
1368	<b>3 Pillar molding</b>	90-91 R	184.15	0.3	94010A A881BI
1369		90-91 L	184.15	0.3	94010A A891BI
2631		92-94 R	131.02	0.3	94010A A881BK
2632		92-94 L	141.65	0.3	94010A A891BK
<b>Center pillar</b>					
1370	upper	90-94 R	29.95	0.4	94018 AA101
1371	outer	90-94 L	29.95	0.4	94018 AA110
1372	inner to 11/89	90 R	160.15	0.4	94010A A120BI
1373		90 L	160.15	0.4	94010A A130BI
2629	inner from 12/89	90-91 R	150.37	0.4	94010A A121BI
2030		90-91 L	150.37	0.4	94010A A131BI
2633		92-94 R	107.82	0.4	94010A A121EM
2634		92-94 L	107.82	0.4	94010A A131EM
1374	<b>6 lower</b>	90-91 R	49.52	0.4	94090A A460BI
1375		90-91 L	49.52	0.4	94090A A470BI
2635		92-94 R	36.08	0.4	94090A A460EM
2636		92-94 L	36.08	0.4	94090A A470EM
<b>7 Door trim panel</b>					
2031	manual windows	90-91 R	139.17#	0.8	94070A B080BI
2032	upper	90-91 L	139.17#	0.8	94070A B090BI
2637		92-94 R	124.67#	0.8	94070A B080EM
2638		92-94 L	124.67#	0.8	94070A B090EM
2033	lower	90 R	176.68#	0.8	94070A B160BI
2034		90 L	176.68#	0.8	94070A B170BI
2035		91 R	176.68#	0.8	94070A B121BI
2036		91 L	176.68#	0.8	94070A B131BI
2639		92-94 R	212.38#	0.8	94070A D800EM
2640		92-94 L	212.38#	0.8	94070A D810EM
1376	power windows	90-91 R	212.38	0.8	94070A A900BI
1377		90-91 L	212.38	0.8	94070A A910BI
2641		92-93 R	212.38	0.8	94070A C720MJ
2642		92-93 L	207.83	0.8	94070A F350MJ
3256		94 R	207.83	0.8	94070A F320MJ
3259		94 L	207.83	0.8	94070A F350MJ
1378	<b>8 Speaker grille</b>	90-91 R	74.37		94065A A020BI
1379		90-91 L	74.37		94065A A030BI
2643		92-94 R	57.72		94065A A020EM
2644		92-94 L	57.72		94065A A030EM
1380	<b>9 Map pocket</b>	90-91 R	128.75		94073A A020BI
1381		90-91 L	128.75		94073A A030BI
2645		92-94 R	101.00		94073A A060EM
2646		92-94 L	101.00		94073A A070EM
1382	<b>10 Lamp assy</b>	90-91 R	24.95		94076A A001BI
1383		90-91 L	24.95		94076A A010BI
2647		92-94 R	24.95		94076A A001EM
2648		92-94 L	24.95		94076A A011EM
2041	<b>12 Lamp bracket</b>	90-94 R	7.25		94078 AA080
2042		90-94 L	7.25		94078 AA090
2043	<b>11 Lens</b>	90-94 R	12.78		94072 AA000
2044		90-94 L	12.78		94072 AA010
2045	<b>Bulb</b>	90-94	2.95		94087 AA000
<b>13 Armrest</b>					
2046	manual windows	90-91 R	69.05	0.3	94075A A000BI
2047		90-91 L	69.05	0.3	94075A A010BI
2649		92-94 R	69.05	0.3	94075A A000EM
2650		92-94 L	69.05	0.3	94075A A010EM
1384	power windows	90-91 R	39.95	0.3	94064A A021BI
1385		90-91 L	39.95	0.3	94064A A032BI
2651		92-94 R	16.98	0.3	94064A A021EM
2652		92-94 L	16.98	0.3	94064A A032EM
2048	<b>Cap</b>	90	6.82		94068A A030BI
1387	<b>14 Pull handle</b>	90-91 R	28.47	0.3	94074A A020BI
1388		90-91 L	28.47	0.3	94074A A031BI
2653		92-94 R	22.33	0.3	94074A A000EM
2654		92-94 L	22.33	0.3	94074A A010EM
2049	<b>15 Defroster duct</b>	90-94 R	13.92		94066 AA000

2051	<b>16 Defroster grille</b>	90-94 L	15.02		94066 AA010
2052		90-91 R	14.80		94065A A040BI
2053		90-91 L	14.80		94065A A050BI
2054		92-94 R	11.48		94065A A040EM
2055		92-94 L	11.45		94065A A050EM
<b>17 Rear door trim</b>					
2056	manual windows	90-91 R	133.10#	0.6	94070A B180BI
2057	upper	90-91 L	133.10#	0.6	94070A B190BI
2656		92-94 R	119.32#	0.6	94070A B180EM
2657		92-94 L	119.32#	0.6	94070A B190EM
2058	lower	90 R	176.68#	0.6	94070A B260BI
2059		90 L	176.68#	0.6	94070A B270BI
2060		91 R	176.68#	0.6	94070A B241BI
2061		91 L	176.68#	0.6	94070A B251BI
2062		92-94 R	212.38#	0.6	94070A D880EM
2063		92-94 L	212.38#	0.6	94070A D890EM
2064	power windows	90-91 R	212.38	0.6	94070A A981BI
2065		90-91 L	212.38	0.6	94070A A991BI
2066		92-94 R	233.58	0.6	94070A F660EM
2067		92-94 L	233.58	0.6	94070A F670EM
2068	<b>18 Lamp assy</b>	90-91	43.07		94076A A020EM
2069		92-94	24.95		94076A A021EM
2070	<b>19 Lens</b>	90-94	12.78		94072 AA020
2071	<b>Bulb</b>	90-94	2.95		94087 AA000
<b>20 Armrest</b>					
2072	manual windows	90-91 R	69.05	0.3	94075A A020BI
2073		90-91 L	69.05	0.3	94075A A030BI
2074		92-94 R	69.05	0.3	94075A A020EM
2075		92-94 L	69.05	0.3	94075A A030EM
2076	power windows	90-91 R	16.98	0.3	94064A A041BI
2077		90-91 L	16.98	0.3	94064A A051BI
2078		92-94 R	16.98	0.3	94064A A041BK
2079		92-94 L	16.98	0.3	94064A A150BK
2080	<b>Cap</b>	90-91	6.82		94068A A040BI
2081	<b>21 Pull handle</b>	90-91 R	28.47	0.3	94074A A020BI
2082		90-91 L	28.47	0.3	94074A A030BI
2083		92-94 R	28.47	0.3	94074A A021BK
2084		92-94 L	28.47	0.3	94074A A031BK
2085	<b>22 Ashtray</b>	90-91	43.92		94069A A000BI
2086		92-94	33.33		94069A A000EM
<b>23 Bracket</b>					
2087	manual windows	90-91	10.85		94078A A110BI
2088		92-94	5.00		94078A A110EM
2089	power windows	90-91	10.85		94078A A100BI
2090		92-94	5.00		94078A A100EM

\* LABOR: Time is for upper and lower.



<b>QUARTER PANEL TRIM SEDAN</b>					
<b>Qtr trim</b>					
2091	upper	90-91 R	247.92	0.6	94010A A180BI
2092		90-91 L	247.92	0.6	94010A A190BI
2093		92-94 R	180.50	0.6	94010A A200EM
2094		92-94 L	166.88	0.6	94010A A210EM
2095	lower	90-91 R	30.63	0.6	94090A A480BI
2096		90-91 L	30.63	0.6	94090A A490BI
2097		92-94 R	22.20	0.6	94090A A480EM
2098		92-94 L	22.20	0.6	94090A A490EM
2099	<b>3 Trunk side trim</b>	90-91 R	298.07	0.6	94050A A020MA
2100		90-91 L	314.77	0.6	94050A A030MA
2101		92-94 R	194.58	0.6	94050A A140MA
2102		92-94 L	224.23	0.6	94050A A170MA
2103	<b>4 End cover</b>	90-91	190.68	0.3	94050A A230MA
2104		92-94	149.70	0.3	94050A A180MA
<b>Package tray</b>					
2105	w/ speaker grille	90-91	228.88	0.4	65510A A160BI
2106	w/o speaker grille	90-92	228.88	0.5	65510A A140BI
2107	w/turbo	93-94	171.67	0.5	65510A A140MJ
2108		91	211.63	0.5	65510A A241LM
2109		92-94	171.67	0.5	65510A A242MJ
2110	<b>Speaker grille</b>	90-91	66.35		65521A A050BK
2111		92-94	59.40		65521A A050EM

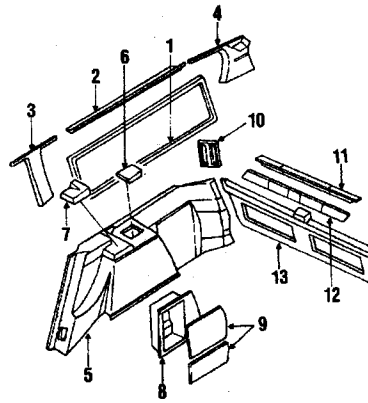


<b>INTERIOR TRIM WAGON</b>					
<b>Headliner</b>					
2112	w/o sunroof	90	399.95	2.0	94035A A090BJ
2113	w/o touring	91	299.95	2.0	94035A A150BJ
2114		92-94	349.95	2.0	94035A A150MK
2115	w/touring	90	299.95	2.0	94035A A200BJ
2116	w/sunroof	90-91	429.96	2.0	94035A A140BJ
2117		92-94	399.95	2.0	94035A A140MK
<b>Grip handle</b>					
2118	front	90-91	38.12	0.2	92040A A000BJ
2119		92-94	28.57	0.2	92040A A000MK
2120	rear	90-91			



## INTERIOR TRIM (CONT)

	90-91 L	212.38	0.8	94070A A910BI
	92-93 R	207.83	0.8	94070A F320EM
	92-93 L	207.83	0.8	94070A F320EM
	94 R	207.83	0.8	94070A F320MJ
	94 L	207.83	0.8	94070A F350MJ
<b>8 Speaker grille</b>	90-91 R	74.37		94065A A020BI
	90-91 L	74.37		94065A A030BI
	92-94 R	57.72		94065A A020EM
	92-94 L	57.72		94065A A030EM
<b>9 Map pocket</b>	90-91 R	128.75		94073A A020BI
	90-91 L	128.75		94073A A030BI
	92-94 R	101.00		94073A A060EM
	92-94 L	101.00		94073A A070EM
<b>10 Lamp Assy</b>	90-91 R	24.95		94076A A001BI
	90-91 L	24.95		94076A A010BI
	92-94 R	24.95		94076A A001EM
	92-94 L	24.95		94076A A011EM
<b>12 Lamp bracket</b>	90-94 R	7.25		94078 AA080
	90-94 L	7.25		94078 AA090
<b>11 Lens</b>	90-94 R	12.78		94072 AA000
	90-94 L	12.78		94072 AA010
<b>Bulb</b>	90-94	2.95		94087 AA000
<b>13 Armrest</b>				
manual windows	90-91 R	69.05	0.3	94075A A000BI
	90-91 L	69.05	0.3	94075A A010BI
	92-94 R	69.05	0.3	94075A A000EM
	92-94 L	69.05	0.3	94075A A010EM
power windows	90-91 R	39.95	0.3	94064A A021BI
	90-91 L	39.95	0.3	94064A A032BI
	92-94 R	16.98	0.3	94064A A021EM
	92-94 L	16.98	0.3	94064A A032EM
Cap	90-91	6.82		94068A A030BI
<b>14 Pull handle</b>	90-91 R	28.47	0.3	94074A A000BI
	90-91 L	28.47	0.3	94074A A010BI
	92-94 R	22.33	0.3	94074A A000EM
	92-94 L	22.33	0.3	94074A A010EM
<b>15 Defroster duct</b>	90-94 R	13.92		94066 AA000
	90-94 L	15.02		94066 AA010
<b>16 Defroster grille</b>	90-91 R	14.80		94065A A040BI
	90-91 L	14.80		94065A A050BI
	92-94 R	11.48		94065A A040EM
	92-94 L	11.65		94065A A050EM
<b>17 Rear door trim</b>				
manual windows				
upper	90-91 R	133.10	0.6	94070A B180BI
	90-91 L	133.10	0.6	94070A B190BI
	92-94 R	119.32	0.6	94070A B180EM
	92-94 L	119.32	0.6	94070A B190EM
lower	90 R	176.68	0.6	94070A B260BI
	90 L	176.68	0.6	94070A B270BI
	91 R	176.68	0.6	94070A B241BI
	91 L	176.68	0.6	94070A B251BI
	92-94 R	212.38	0.6	94070A D880EM
	92-94 L	212.38	0.6	94070A D890EM
power windows	90-91 R	212.38	0.6	94070A A981BI
	90-91 L	212.38	0.6	94070A A991BI
	92-93 R	214.28	0.6	94070A F640MJ
	92-93 L	207.83	0.6	94070A F650EM
	94 R	210.23	0.6	94070A E060MJ
	94 L	233.58	0.6	94070A F670EM
<b>18 Lamp Assy</b>	90-91	43.07		94076A A020BI
	92-93	24.95		94076A A021EM
	94	24.95		94076A A021EM
<b>19 Lens</b>	90-94	12.78		94072 AA020
<b>Bulb</b>	90-94	2.95		94087 AA000
<b>20 Armrest</b>				
manual windows	90-91 R	69.05	0.3	94075A A020BI
	90-91 L	69.05	0.3	94075A A030BI
	92-94 R	69.05	0.3	94075A A020EM
	92-94 L	69.05	0.3	94075A A030EM
power windows	90-91 R	16.98	0.3	94064A A041BI
	90-91 L	16.98	0.3	94064A A051BI
	92-93 R	16.98	0.3	94064A A041EM
	92-93 L	16.98	0.3	94064A A051EM
	94 R	16.98	0.3	94064A A041BK
	94 L	16.98	0.3	94064A A150BK
Cap	90-91	6.82		94068A A040BI
<b>21 Pull handle</b>	90-91 R	28.47	0.3	94074A A020BI
	90-91 L	28.47	0.3	94074A A030BI
	92-94 R	22.33	0.3	94074A A020EM
	92-94 L	22.33	0.3	94074A A030EM
<b>22 Ashtray</b>	90-91	43.92		94069A A000BI
	92-94	33.33		94069A A000EM
<b>23 bracket</b>				
manual windows	90-91	10.85		94078A A110BI
	92-94	5.00		94078A A110EM
power windows	90-91	10.85		94078A A100BI
	92-94	5.00		94078A A100EM



### QUARTER PANEL TRIM WAGON

<b>Rear qtr trim</b>				
glass				
1 outer	90-91 B	39.95	0.3	94018A A020BI
	92-94 B	39.95	0.3	94018A A020EM
2 inner	90-91 R	114.45	0.3	94010A A680BI
	90-91 L	114.45	0.3	94010A A690BI
	92-94 R	83.35	0.3	94010A A680EM
	92-94 L	83.35	0.3	94010A A690EM
pillar center	90-91 R	114.45	0.5	94010A A220BI
	90-91 L	114.45	0.5	94010A A230BI
	92-94 R	83.35	0.5	94010A A220EM
	92-94 L	83.35	0.5	94010A A230EM
4 rear	90-91 R	122.07	0.4	94010A A280BI
	90-91 L	122.07	0.4	94010A A290BI
	92-94 R	88.82	0.4	94010A A280EM
	92-94 L	88.82	0.4	94010A A290EM
5 Wheelhouse trim	90-91 R	301.17	0.8	94090A A290BI
	90-91 L	301.17	0.8	94090A A300BI
	92-94 R	210.63	0.8	94090A A290EM
	92-94 L	210.63	0.8	94090A A300EM
Tonneau cover	90-91	273.15		65560A A000BI
support	92-94	172.50		65580A A000EM
	90-91 R	4.78		65580A A000LM
	90-91 L	4.78		65580A A010LM
	92-94 R	2.77		65580A A000EM
	92-94 L	2.77		65580A A010EM
retainer	90-91	17.12		65570A A000BI
	92-94	12.68		65570A A001EM
6 Speaker grille	90-94 R	80.13		94090 AA520
	90-94 L	80.13		94090 AA530
7 Cover	90-91 R	38.12		94096A A180BI
	90-91 L	38.12		94096A A190BI
	92-94 R	27.23		94096A A180EM
	92-94 L	28.73		94096A A190EM
8 Pocket	90-91	50.10		94092A A010BI
	92	37.42		94092A A010EM
	93-94	46.03		94092A A010ML
9 Lid				
upper	90-91	29.03		94094A A040BI
	92-94	20.12		94094A A040EM
lower	90-91 R	18.73		94094A A010BI
	90-91 L	19.03		94094A A050BI
	92-94 R	13.63		94094A A010EM
	92-94 L	29.13		94094A A050EM
10 Lamp cover	90-91 R	19.03		94090A A540BI
	90-91 L	19.03		94090A A550BI
	92-94 R	14.37		94090A A540EM
	92-94 L	14.37		94090A A550EM

### LIFT GATE WAGON

<b>11 Upper trim</b>				
w/o touring	90-91 R	76.18	0.4	94010A A800BI
	90-91 L	76.18	0.4	94010A A810BI
	92-94 R	57.22	0.4	94010A A800EM
	92-94 L	57.22	0.4	94010A A810EM
w/touring	90	76.18	0.4	94010A A840BI
	90	76.18	0.3	94010A A740BI
<b>12 Center cover</b>	90-91	133.37		94010A A740EM
	92-94	97.17	0.3	94010A A740EM
<b>13 Lower trim</b>	90-91	152.65	0.6	94090A A250BI
	92-94	114.37	0.6	94090A A250EM
<b>Side trim</b>				
w/o touring	90-91 R	71.55	0.3	94010A A540BI
	90-91 L	76.18	0.3	94010A A550BI
	92-94 R	57.22	0.3	94010A A540EM
	92-94 L	57.22	0.3	94010A A550EM
w/touring	90 R	76.18	0.3	94010A A760BI
	90 L	76.18	0.3	94010A A770BI
<b>Rear glass trim</b>	90-91	133.37	0.3	65058A A000BI
	92-94	100.13	0.3	65058A A000EM